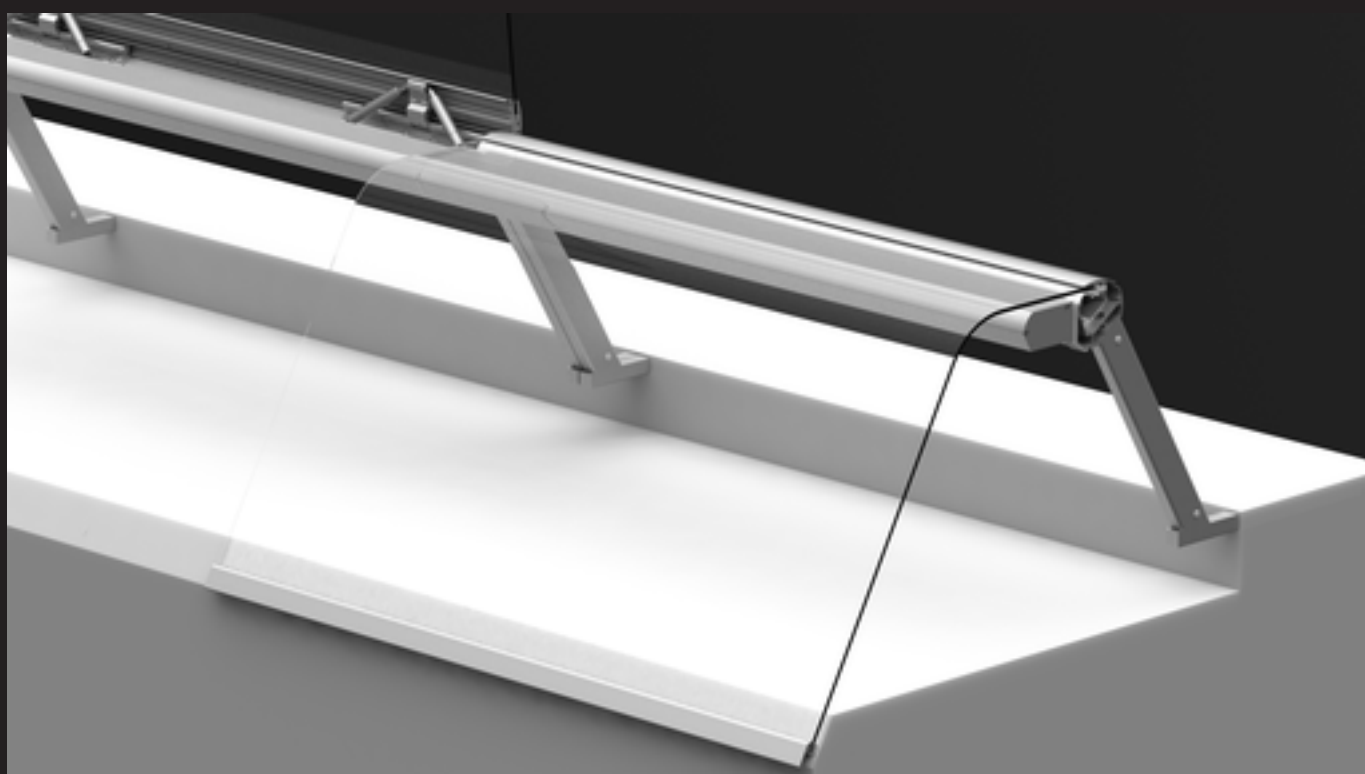
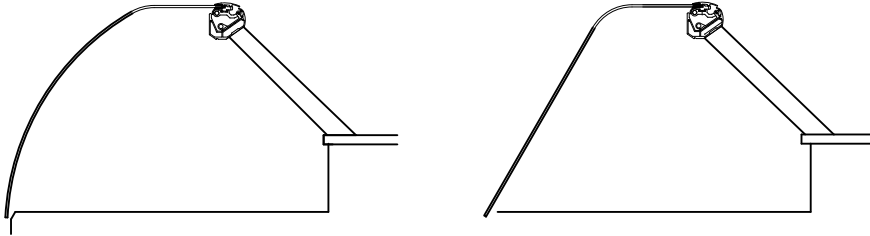


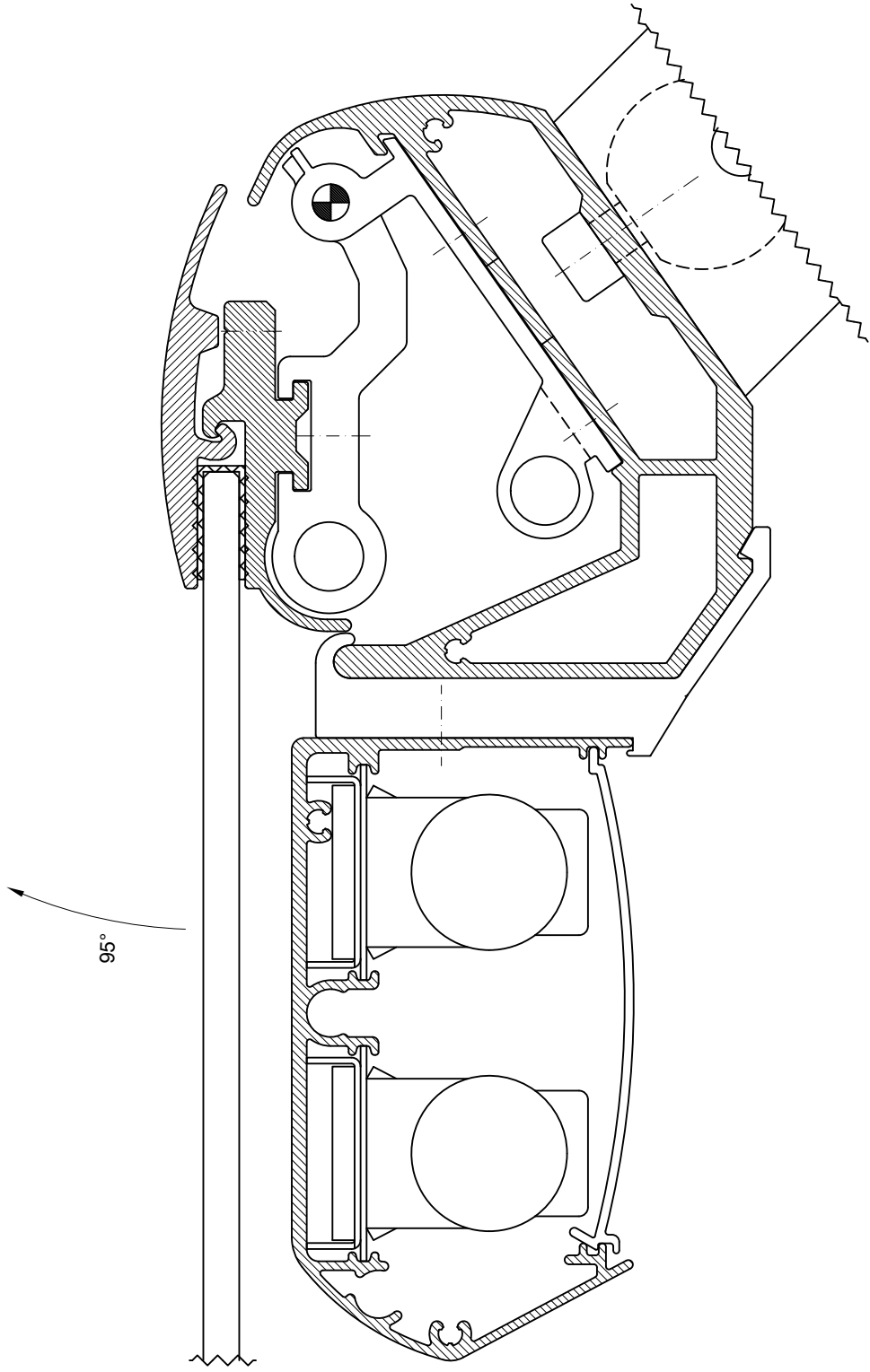
Type 220 A
Series 200 (Radial Lift®)



Product characteristics

- high stability - for large front glasses
- large distance between struts (max. 2 m)
- glass lengths independent from strut distances
- strut position independent from front glasses
- unlimited access to merchandise and excellent service comfort
- clear design - high transparency
- aluminum physiologically harmless
- surface silver satin anodized (color 011) - further colors on request
- secure due to balanced movements

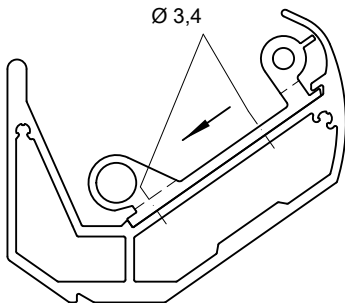
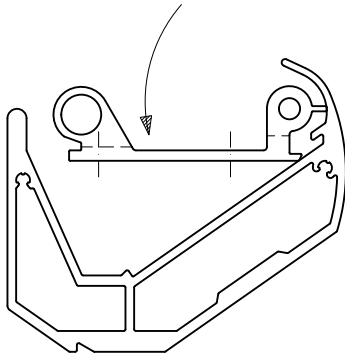
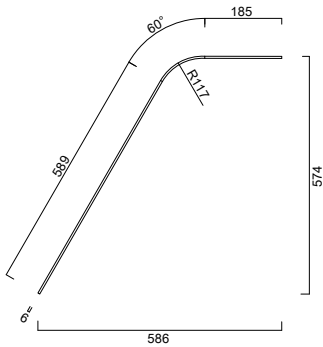




Planning information

- front glass 6 mm tempered, height max. 700 mm, length max. 2000 mm
- top service plate 8 mm tempered, depth 175 – 200 mm
- with additional rear strut
- opening angle 95°
- front glass gas ram supported on opening and closing

glass dimensios (no warranty for glasses)

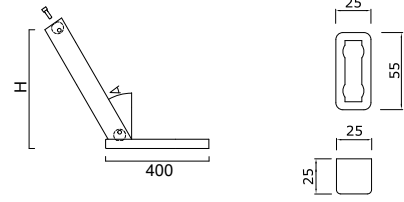
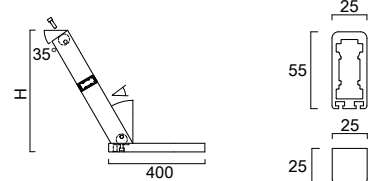
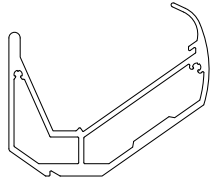
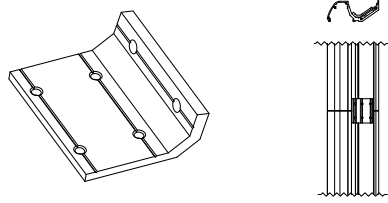
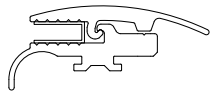
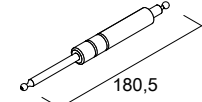
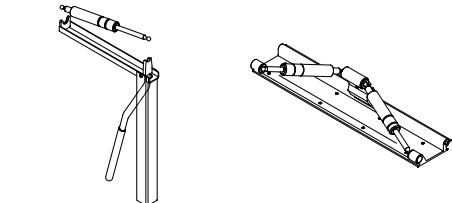


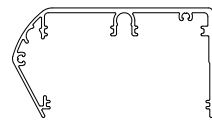
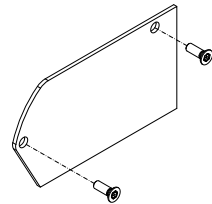
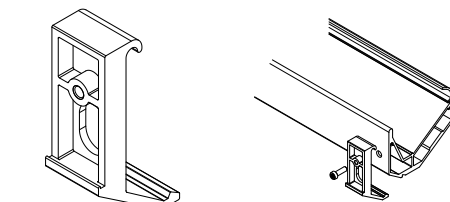
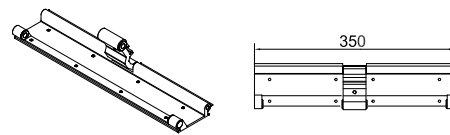
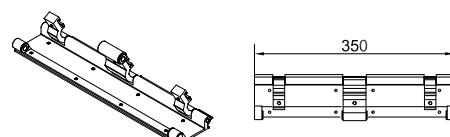
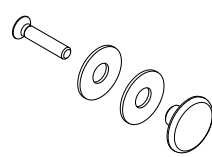
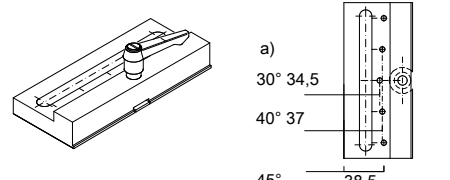
assembly of lift-up elements:

lift-up element (without gas ram) turning into base profile. Mark 8 holes with lift-up element. Drill 8 holes with $\text{Ø } 3,4$ mm.

Type 220 A

Picture

Picture	Product		Part number
	Strut	30° 40° 45°	18.445.0054.XXX 18.445.0056.XXX 18.445.0057.XXX
	Strut with guide for intermediate support without gas ram	30° 40°	18.445.0074.XXX 18.445.0076.XXX
	Base profile	5000mm	18.052.3225.XXX
	Connector straight (for Radial Lift 220/220 A)		18.445.2526.XXX
	Glass clamp profile complete	5000mm	18.445.2002.XXX
	Gas ram Hydro Lift	100N 200N 300N 400N 500N 600N	18.044.2244.040 18.044.3235.040 18.044.2246.040 18.044.2247.040 18.044.2248.040 18.044.2249.040
	Assembling tool		18.042.0289.000

Picture	Product	Part number
	Light canopy profile for T8	5000mm 16.052.3226.XXX
	End cap for profile 16.052.3226.XXX	18.445.1518.XXX
	Clamp	18.045.1226.084
	Lift-up element without gas rams	18.445.0450.011 Note: Per each lift-up element 2 gas rams!
	Lift-up element for corner glasses for corner glasses without gas rams	18.445.0460.011 Note: Per each lift-up element 2 gas rams!
	Side-glass fixing	18.441.4592.XXX
	Drill template for base profile 18.052.3211.XXX 18.052.3225.XXX to strut a= strut slope	18.042.0278.000