

TOUGHENED HIGH GLASS

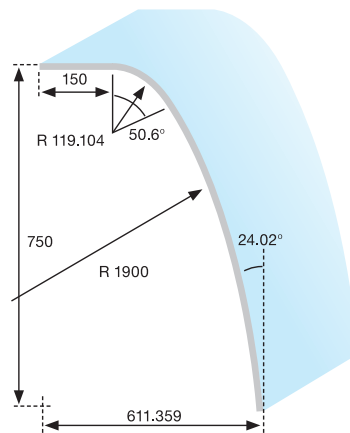
Stock toughened glass for high end display counters, suitable for delicatessen, bakery, butchers and coffee shops plus many more. Our standard range consists of the shapes OB, JP40 and VB1187DL and there are many more shapes available to order. All of the stock glasses are made in 6mm glass PAR and not only enhance aesthetics of the case but also improve the airflow for improved functionality. The glasses can be used in conjunction with many of our tilt forward and lift up systems.

We can also offer non-toughened versions with a safety film of all these glasses should you require a different length, depth or if you need holes in a specific place.

Stock Lengths (mm)

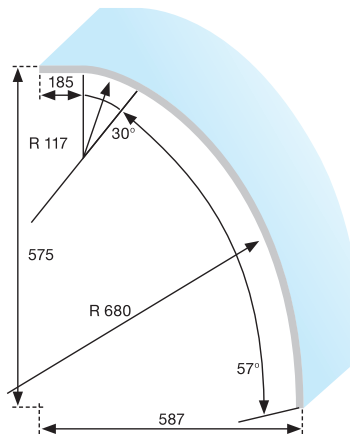
OB

- ▶ 943mm
- ▶ 1243mm
- ▶ 1443mm



VB1187DL

- ▶ 943mm
- ▶ 1243mm
- ▶ 1443mm



JP40

- ▶ 925mm
- ▶ 1180mm
- ▶ 1360mm

