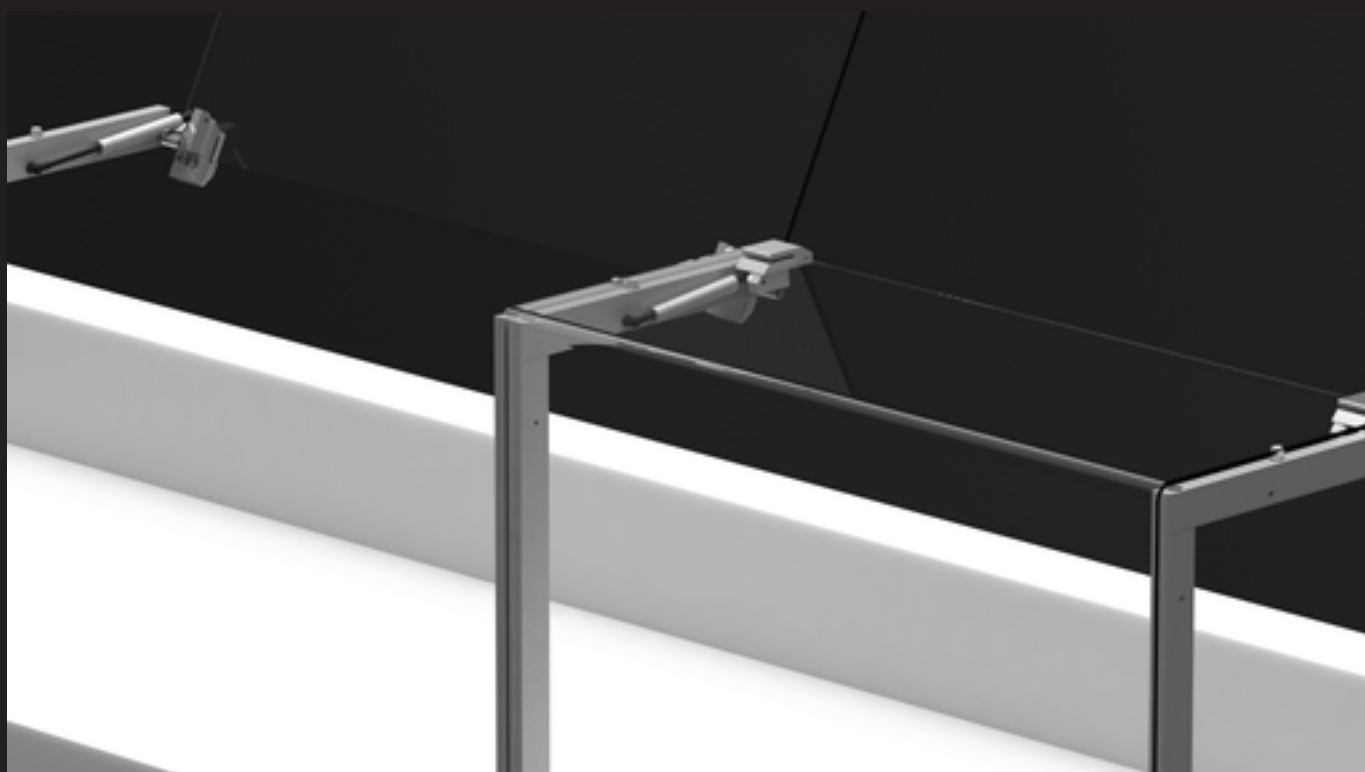


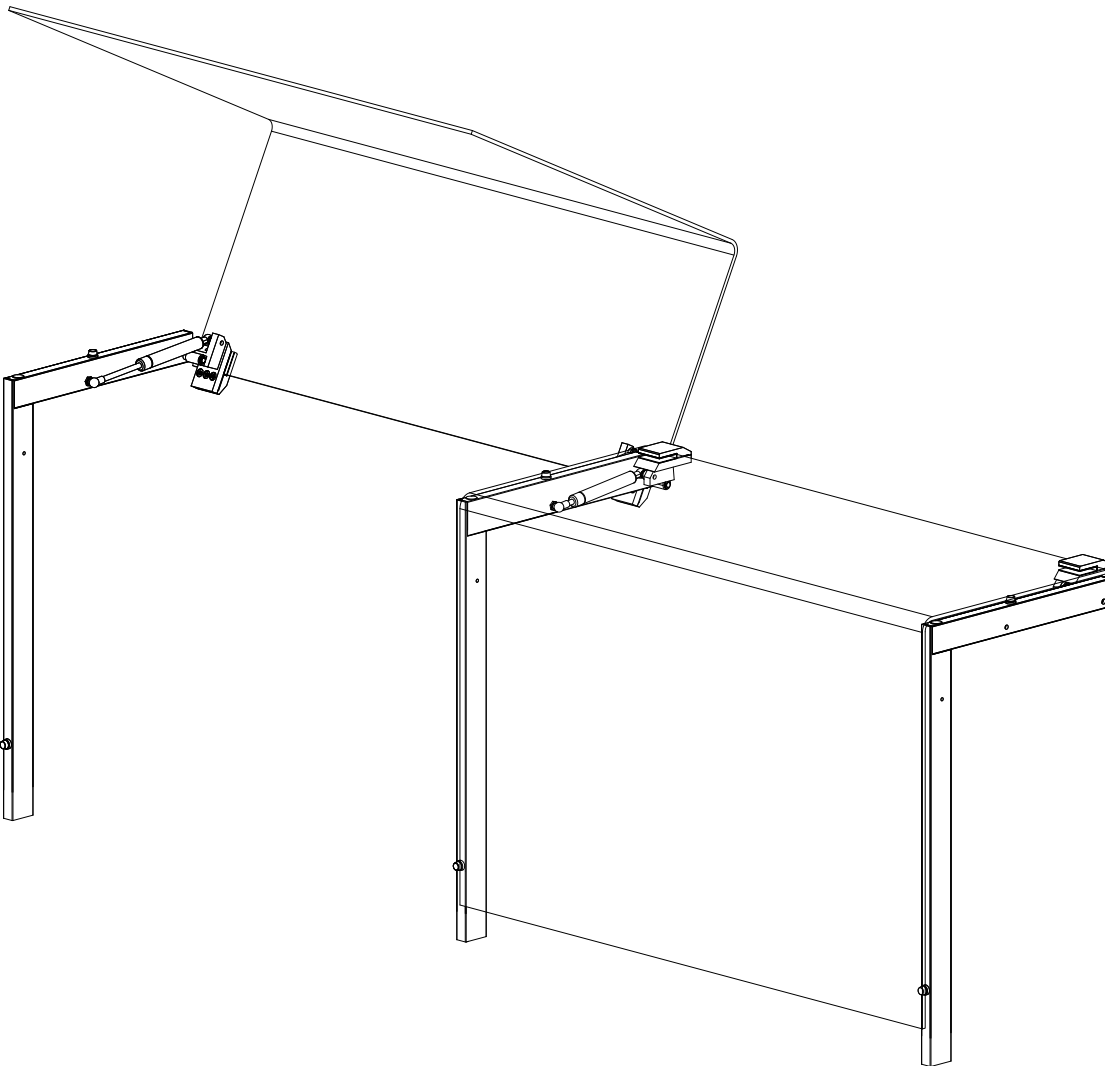
**Cube 4 Frontlift
Series 700 (Cube)**



Product characteristics

Tilt-forward hardware for straight and curved vertical front glasses

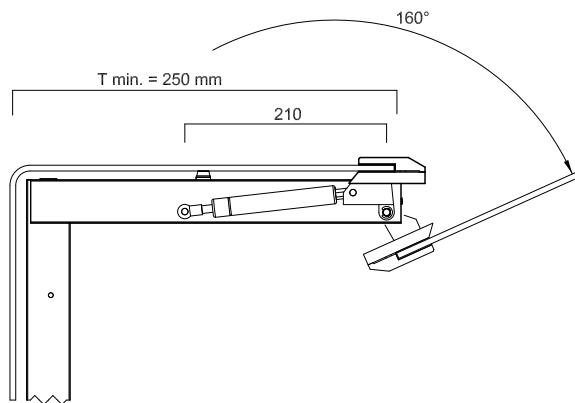
- high stability - for large front glasses
- independent strut position (front / center / rear)
- large opening angle (maximum access for restocking and cleaning)
- glass clamp for 6 and 8 mm top service plate
- optional intermediate bracket
- maximum glass length L = 1350 mm
- light canopy T5, T8 or LED
- damped closing of glasses
- colors silver satin anodized (011) or black anodized (016), others on request



Program supplement for circle segment and spherical glass:
 Series 600 (same strut profile grants the use of struts with different geometry on the same case body)

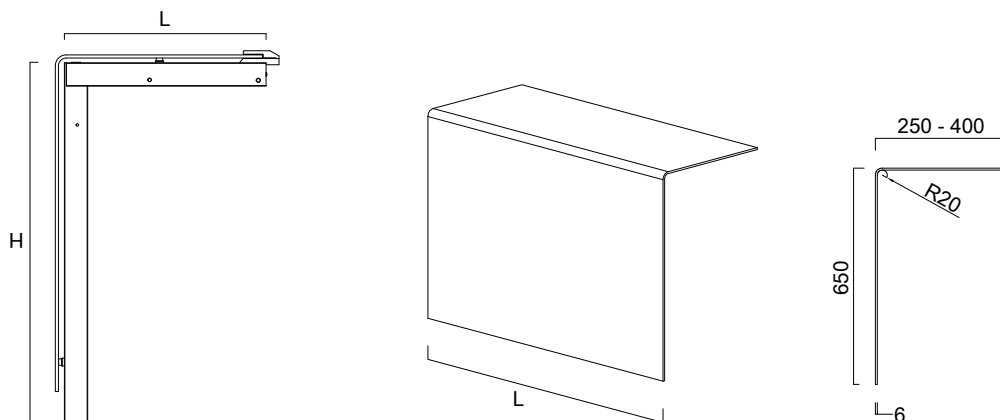
Planning information

- front glass 6 mm tempered
- height max. 650 mm, length max. 1350 mm
- top service plate 6 or 8 mm tempered glass, depth max. 400 mm
- opening angle 165°
- gas ram supported opening and closing of the front glass
- optional light canopy
- individual assembly to case body
- flexible strut and support positions



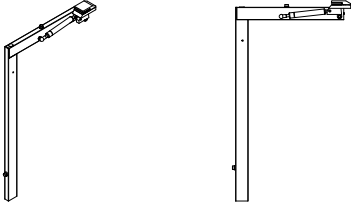
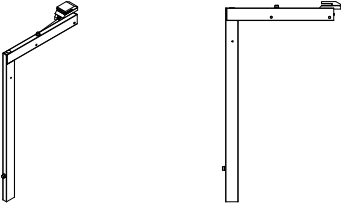
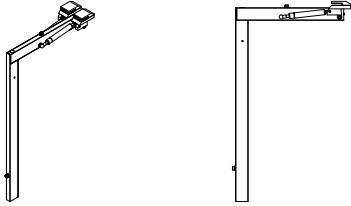
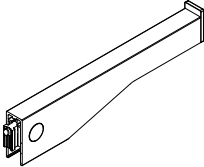
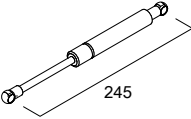
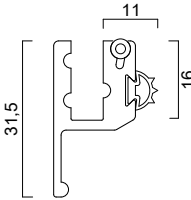
In order to avoid unnecessary questions, please submit following information with your purchase order:

- Depth of top service plate [L] (depth of glass)
- Height up to top service plate [H]
- Front glass dimension for calculation of gas ram pressures [N]
Glass height [mm] glass length [mm]



glass dimensions (no warranty for glasses)

Cube 4 Frontlift

Picture	Product		Part number
	Cube 4 Frontlift strut strut 600 mm support 300 mm	left	07.447.4081.XXX
	Cube 4 Frontlift strut strut 600 mm support 300 mm	right	07.447.4082.XXX
	Cube 4 Frontlift strut strut 600 mm support 300 mm	center	07.447.4083.XXX
	Cube 4, intermediate support for front strut, L=400 mm pls indicate required length with order		07.447.4330.XXX
	Gas ram Lift-O-Mat	100N 200N 250N 300N 400N 500N 600N 700N 800N 900N 1,000N 1,100N 1,200N	14.044.3218.051 14.044.3294.051 14.044.3295.051 14.044.3267.051 14.044.3268.051 14.044.3269.051 14.044.3270.051 14.044.3271.051 14.044.3296.051 14.044.3689.051 14.044.3690.051 14.044.3691.051 14.044.3692.051
	Hand grip profile complete	5000mm	07.447.5300.XXX

Picture	Product	Part number
	<p>Cube 4 Profile cut out of profile 052.3464.000 pls indicate required length</p>	<p>07.447.4306.XXX</p>
	<p>Cover profile anodized aluminum</p>	<p>5000mm 07.052.8184.XXX</p>
	<p>Silicone profile for fixing of cover profile 07.052.8184.XXX</p>	<p>5000mm 07.054.0555.084</p>
	<p>Cover profile Silicone profile, with talcum, color RAL 7035, coil of 100 m packed in crates</p>	<p>07.054.0554.084</p>
	<p>Strut fixing</p>	<p>07.044.4742.070</p>
	<p>Fixing with thread bar with threaded rods</p>	<p>07.447.4324.070</p>

