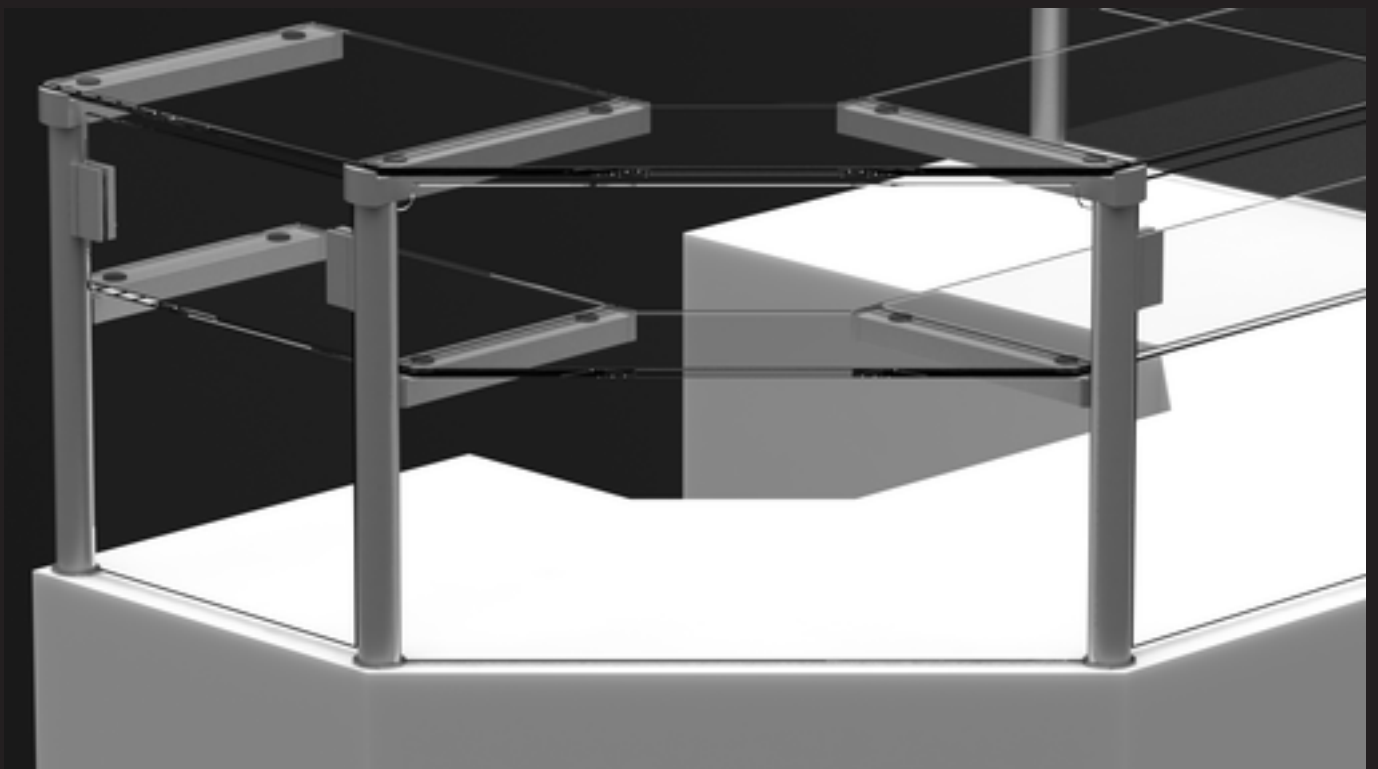
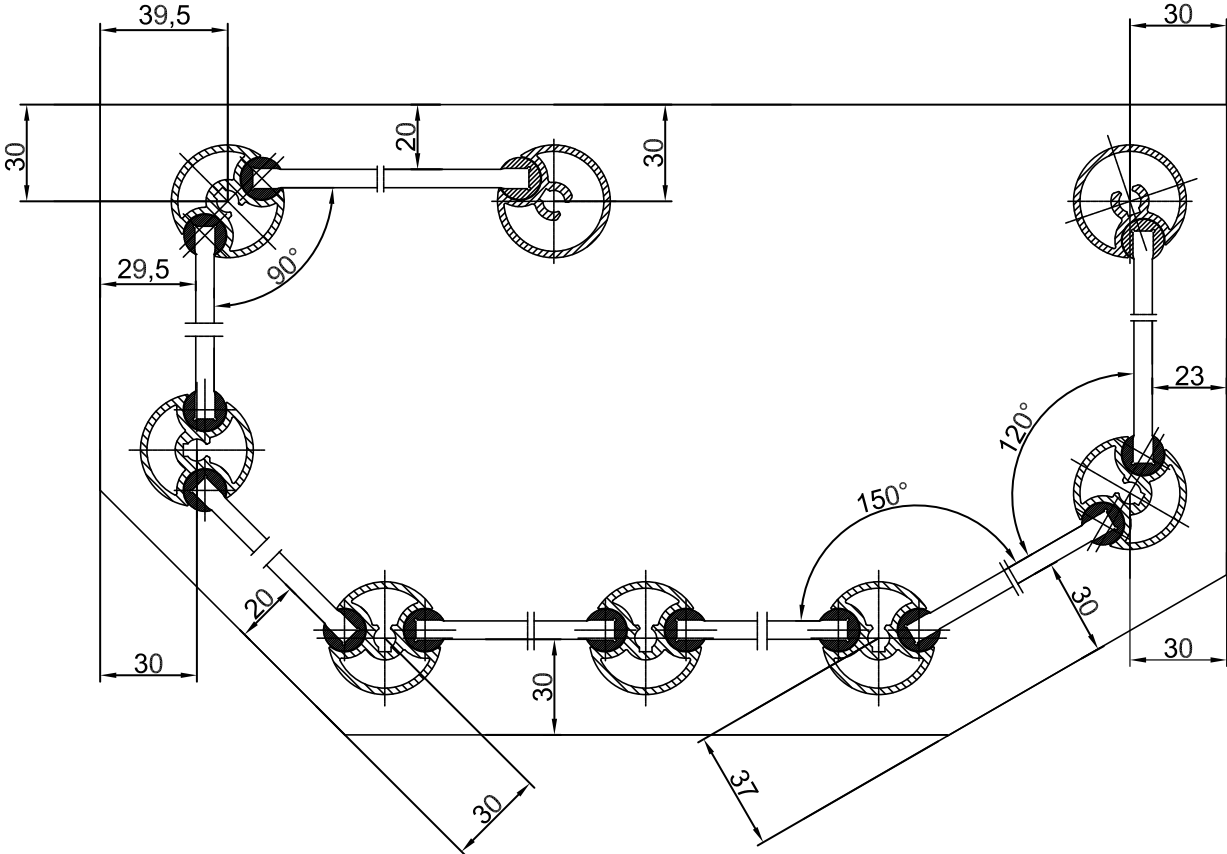


Bistro 35
Series Bistro



Product characteristics

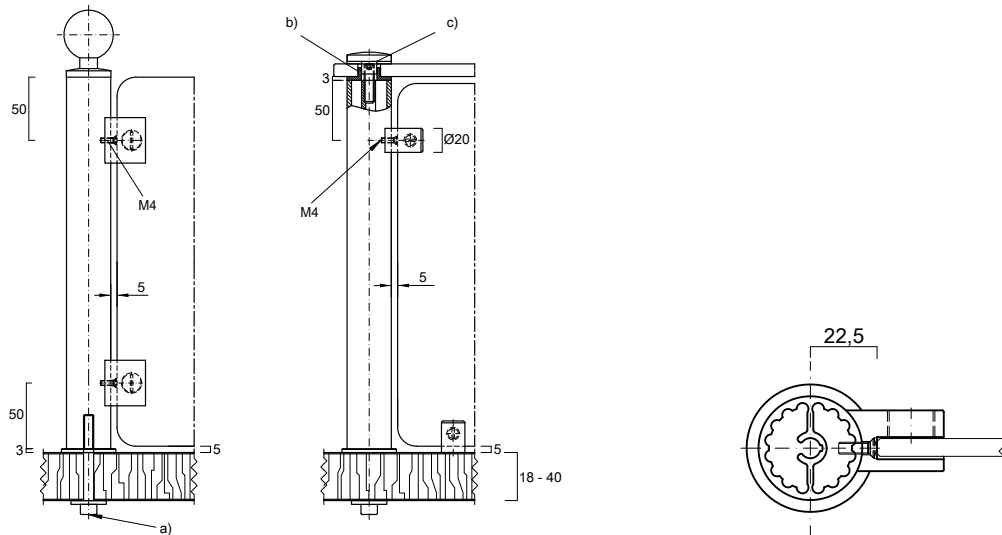
Assembly possibilities



max. dimensions: length 1400mm height 600mm

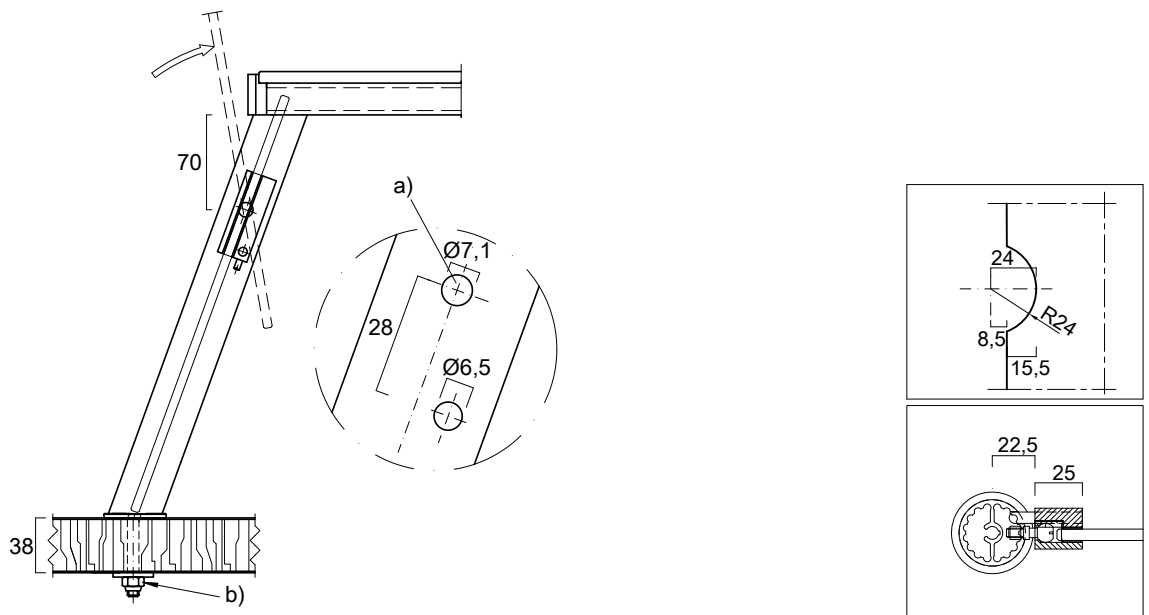
Planning information

Assembly information



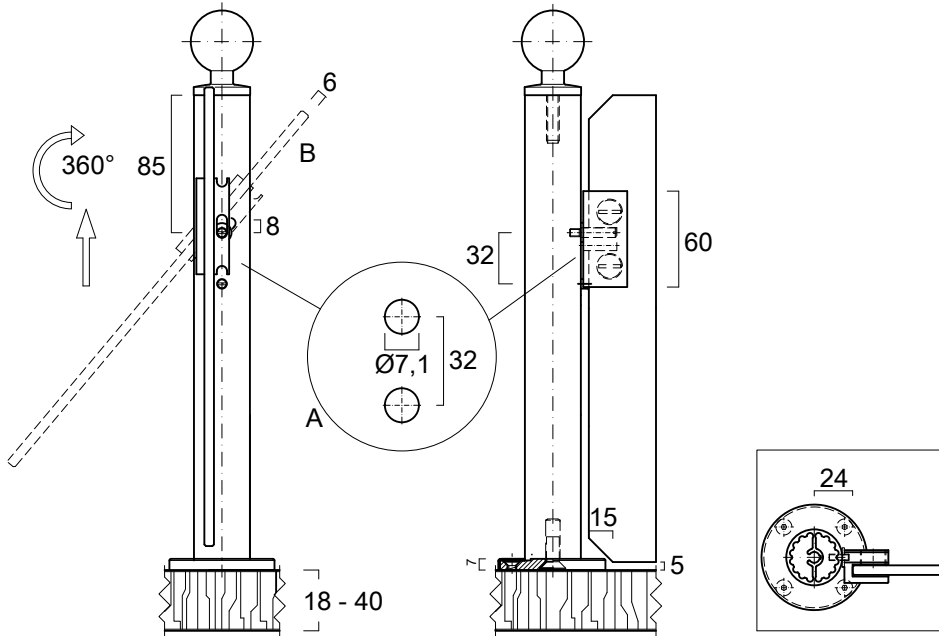
a) Strut fixing 11.414.5581.000 b) Glass hole Ø18mm c) Glass bracket 11.414.5570.000
max. dimensions: length 1400mm height 600mm

Tiltable hinge



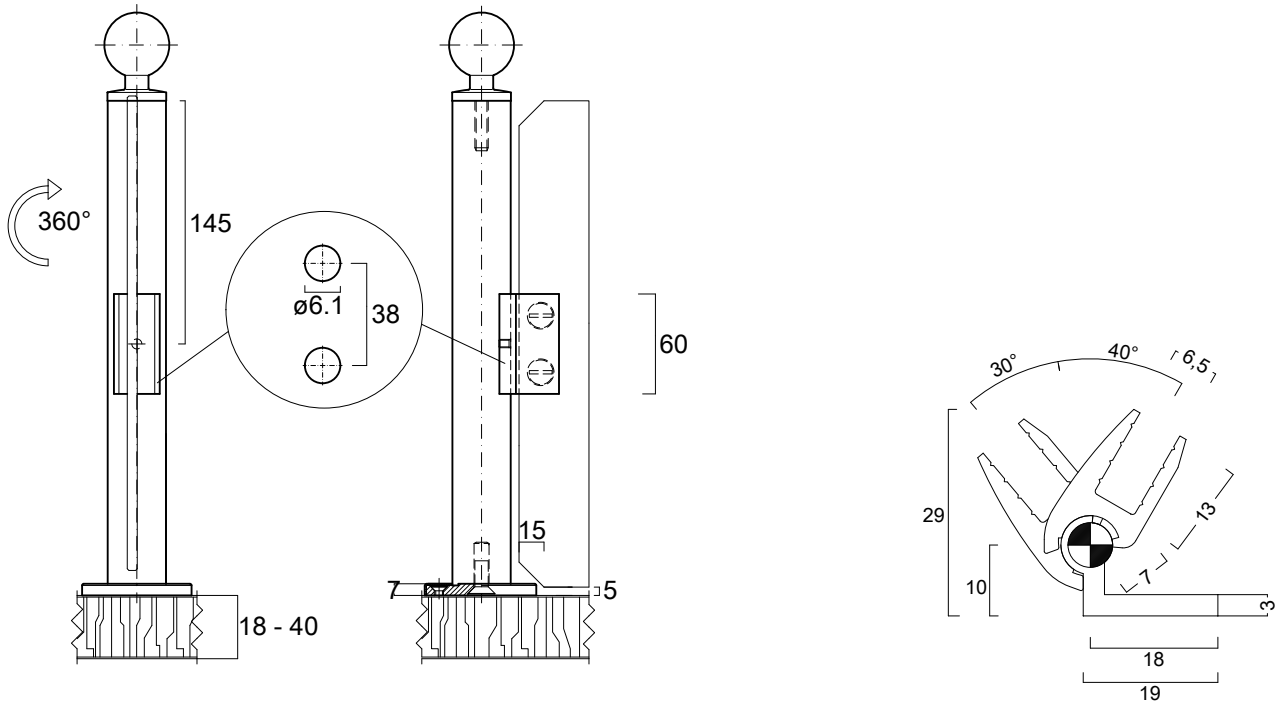
a) Nut M5; secure thread with Loctite!
Use template 042.02960.000
b) Strut fixing (for 10° 11.414.5509.000 / for 20° 11.414.5582.000)
max. dimensions: length 1000mm height 600mm

Tilttable hinge 360° (11.414.5540.XXX)



max. dimensions: length 1000mm height 600mm

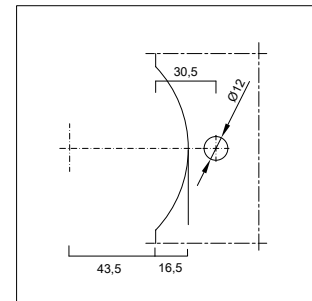
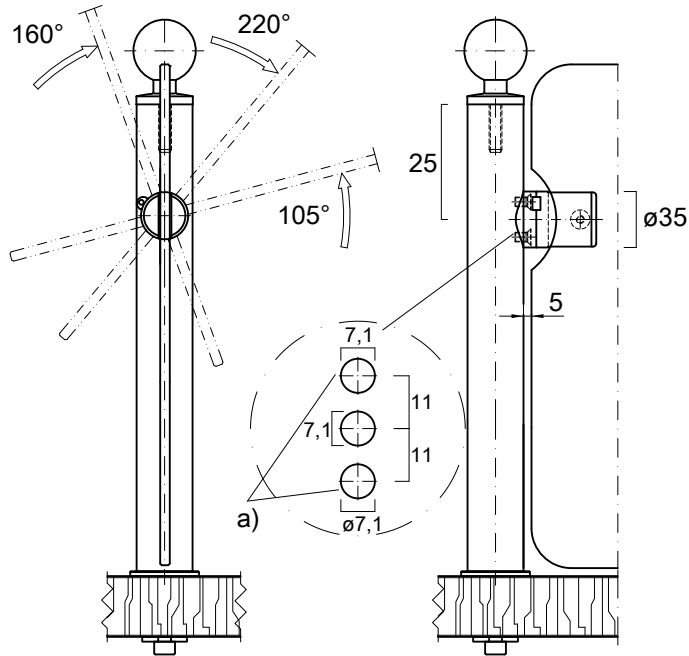
Tilttable hinge 360° with lock (11.414.5546.XXX)



Tilt-forward hardware for front glass

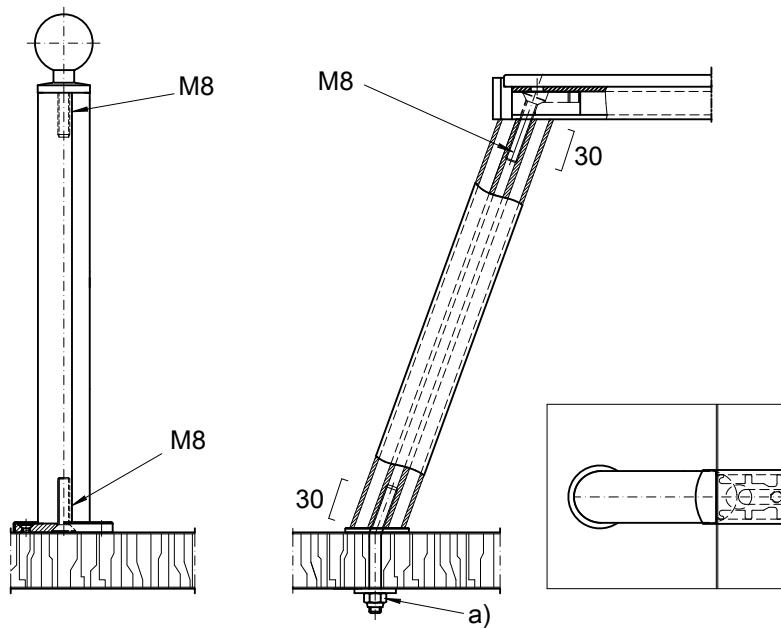
max. dimensions: length 1000mm height 600mm

possible angle positions 105°/160°/220°



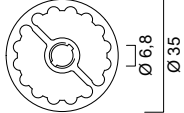
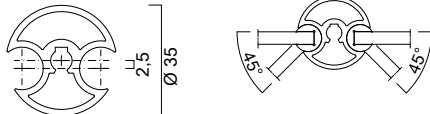
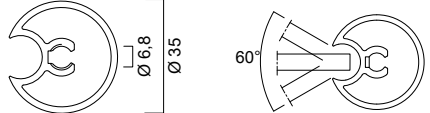
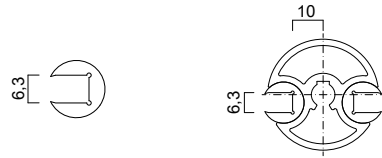
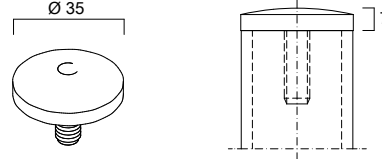
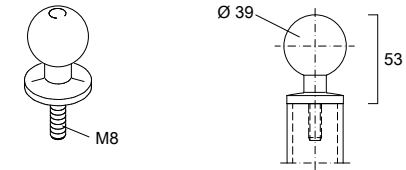
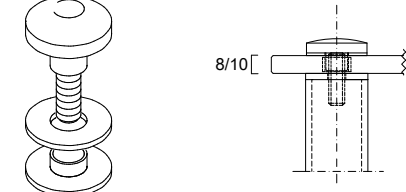
glass cut-out

a) hole for nut M5 thread to be secured with Loctite
max. dimensions: length 1400mm height 600mm

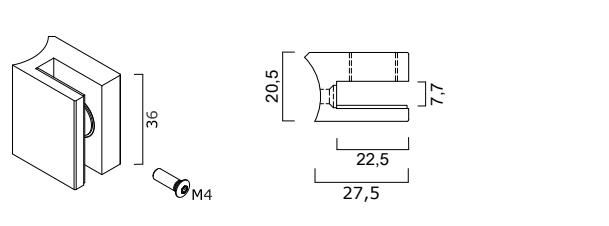
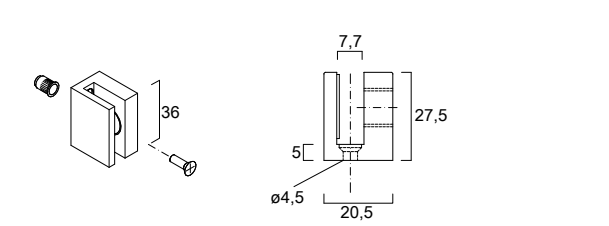
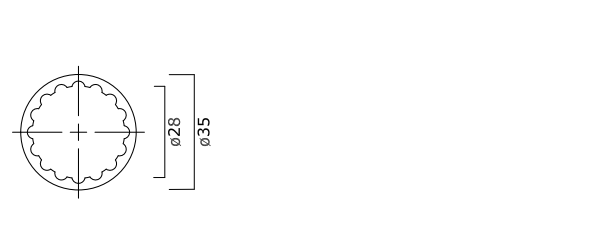
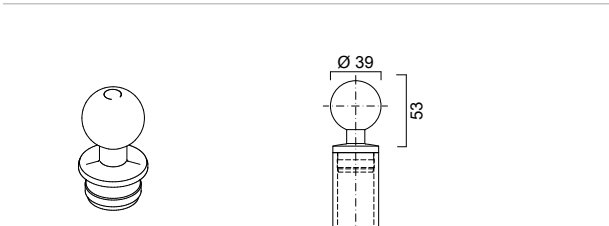
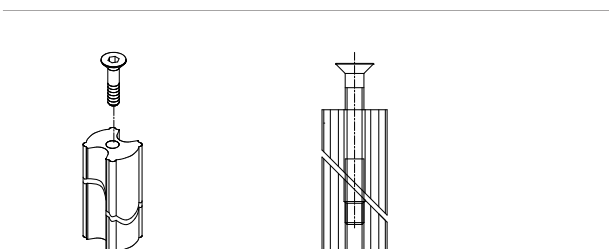
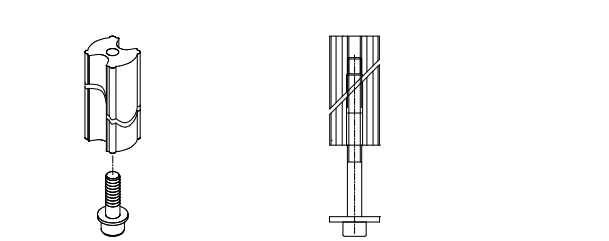


a) strut fixing (for 10° 11.414.5509.000 / for 20° 11.414.5582.000)

Bistro 35
Picture

Picture	Product	5000mm	Part number
	Profile	5000mm	11.052.1204.XXX
	Profile	5000mm	11.052.1201.XXX
	Profile	5000mm	11.052.1202.XXX
	Frame profile plastic clear	5000mm	11.054.0573.087
	End piece		11.414.5519.XXX
	End piece		11.414.5518.XXX
	End piece for glass fixing		11.414.5570.XXX

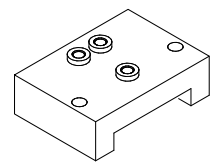
Picture	Product	Part number
	Strut fixing	0° 11.414.5581.000 10° 11.414.5509.000 20° 11.414.5582.000
	Rose	11.414.5603.XXX
	Strut fixing	0° 11.414.5507.XXX
	Bracket Ø 20	11.414.5534.XXX
	Bracket Ø 20 horizontal	11.414.5202.XXX
	Bracket Ø 25	11.414.5532.XXX
	Bracket Ø 25 horizontal	11.414.5533.XXX

Picture	Product	Part number
	Bracket	11.414.5530.XXX
	Bracket horizontal	11.414.5531.XXX
	Profile	5000mm 11.052.1200.XXX
	End piece	11.414.5510.XXX
	End piece	11.414.5512.XXX
	Support fixing	0° 11.414.5574.XXX
	Strut fixing	0° 11.414.5580.000

Picture	Product	Part number
	Hinge (stainless steel) Locking at 105° / 160° / 220°	11.414.5585.071
	Hinge 360°	11.414.5540.XXX
	Hinge 360° with lock with lock Note: for angled corner struts	left right 11.414.5535.XXX 11.414.5536.XXX
	Hinge 360° with lock with lock Note: for angled corner struts	11.414.5546.XXX
	Intermediate support length max. 360 mm 	200mm 11.414.5522.XXX 250mm 11.414.5523.XXX xxxmm 11.414.5565.XXX
	Support length max. 430 mm 	250mm 11.414.5560.XXX 300mm 11.414.5561.XXX xxxmm 11.414.5568.XXX
	Support 20° length max. 430 mm 	250mm 11.414.5562.XXX 300mm 11.414.5563.XXX xxxmm 11.414.5569.XXX

Picture	Product	Part number
	<p>Intermediate support 20°</p> <p>length max. 360 mm</p> <p> 12kg L= 250 mm</p>	<p>200mm 11.414.5526.XXX</p> <p>250mm 11.414.5527.XXX</p> <p>xxxmm 11.414.5567.XXX</p>
	<p>Profile</p>	<p>5000mm 11.052.3318.XXX</p>
	<p>Mounting plate</p>	<p>11.414.5630.XXX</p>
	<p>Support fixing</p>	<p>0° 11.414.5558.XXX</p> <p>10° 11.414.5573.XXX</p> <p>20° 11.414.5559.XXX</p>
	<p>End cap</p>	<p>11.414.5550.XXX</p>
	<p>End cap for 10 mm glass with cover cap</p>	<p>11.414.5571.XXX</p>
	<p>Support fixing for 10 mm glass with cover cap</p>	<p>0° 11.414.5575.XXX</p> <p>10° 11.414.5572.XXX</p> <p>20° 11.414.5576.XXX</p>

Picture	Product		Part number
	Fixing for intermediate bracket	0° 10° 20°	11.414.5556.XXX 11.414.5577.XXX 11.414.5557.XXX
	Glass frame profile	5000mm	11.052.1205.XXX
	Tilt- base profile	5000mm	11.052.1206.XXX
	Rose for tilt-forward hardware	end	11.414.5653.XXX
	Rose for tilt-forward hardware	center	11.414.5652.XXX
	Bracket		11.414.5537.XXX
	drill device for strut Bistro 35		18.042.0293.000

Picture	Product	Part number
 A technical line drawing of a rectangular metal drill device. It features a flat top surface with four circular holes: two larger holes are positioned towards the front-left corner, and two smaller holes are towards the front-right corner. The device has a stepped profile with a lower section on the right side.	drill device Hinge 360° 11.414.5535.XXX 11.414.5536.XXX 11.414.5548.XXX	18.042.0296.000