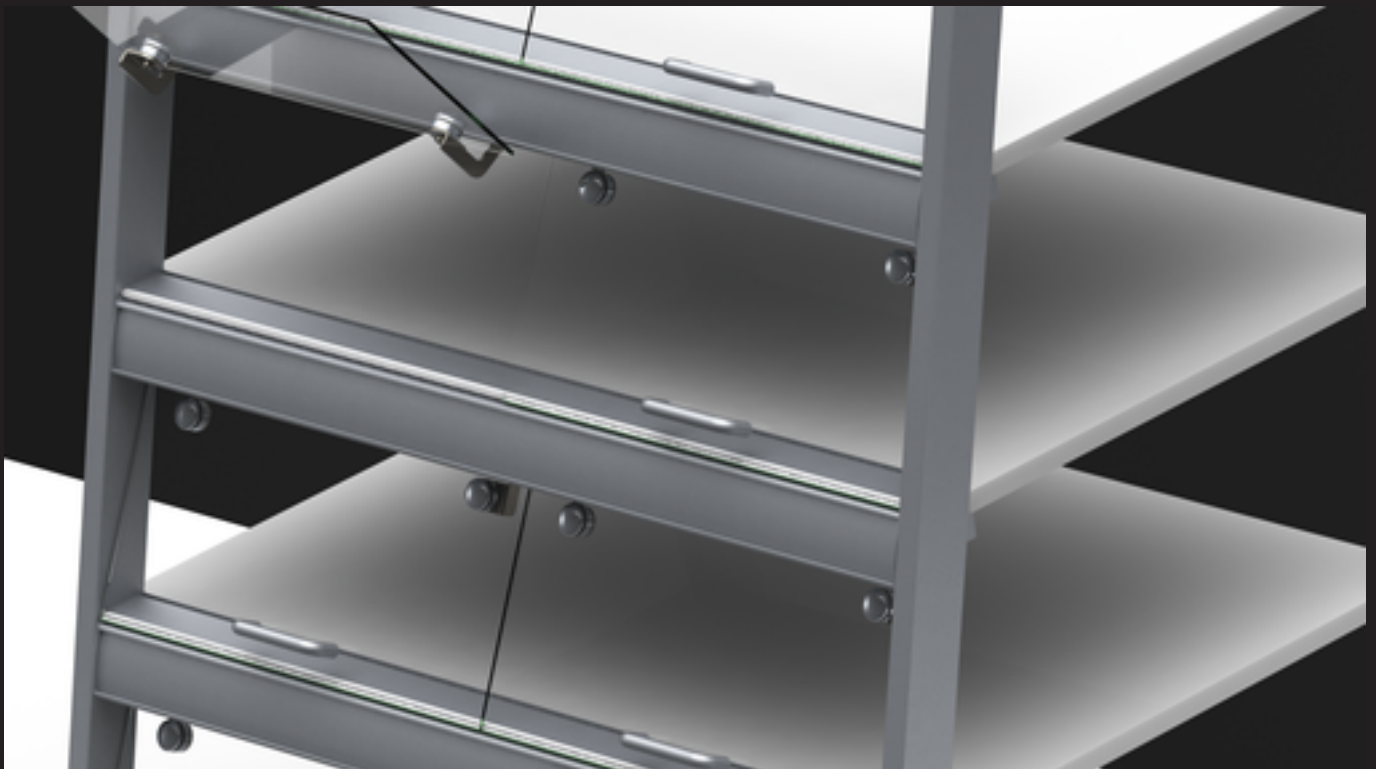
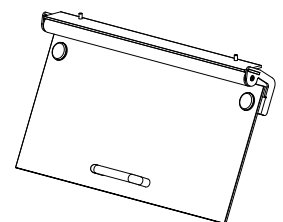
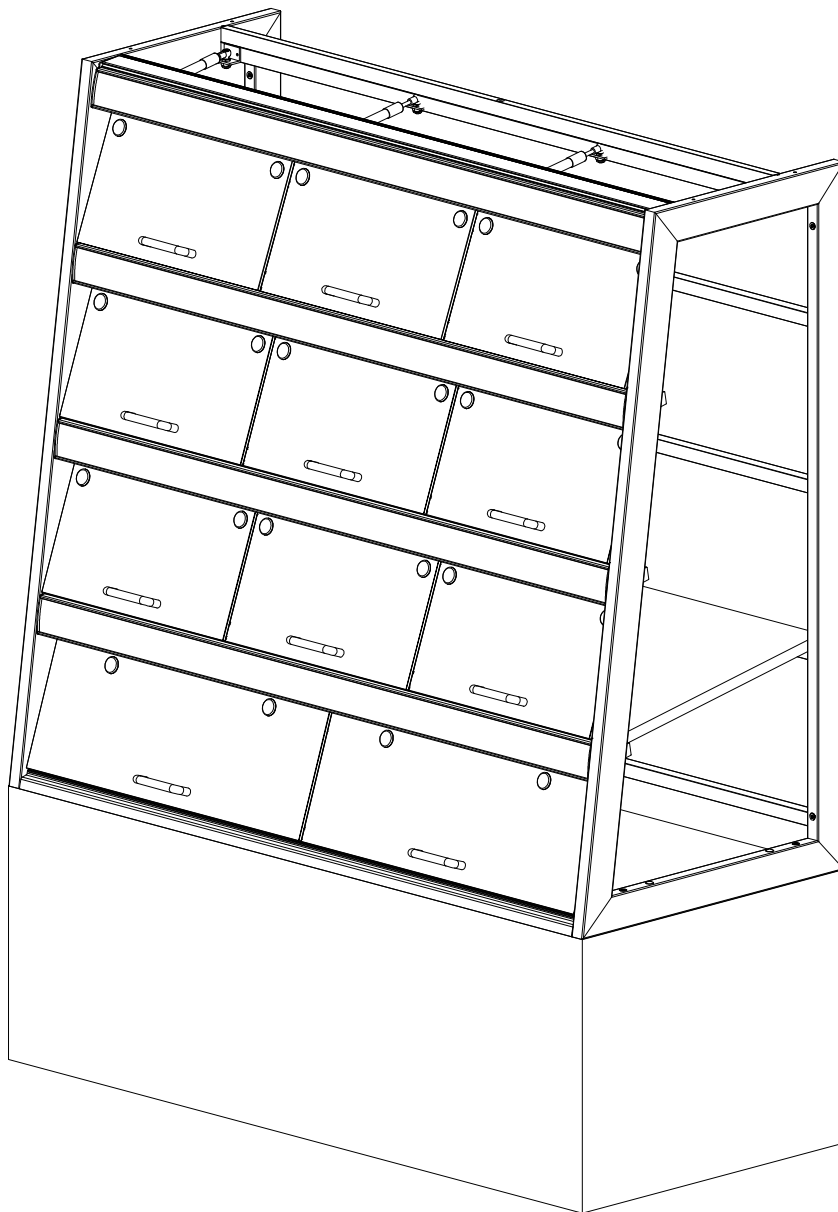


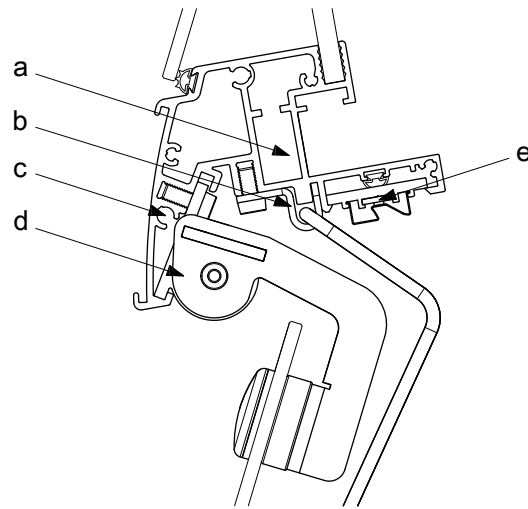
**Self-Service Bakery Shelf  
Series Self-Service**



## Product characteristics

- Profile for self-service bread shelf
- Base profile with possibility for integration of
  - flap damping module with rotation and linear damper
  - securing against return of merchandise
- Integrated LED lighting
- Frame for assembly of base profile on request
- User-friendly assembly
- Damping modules also for assembly under base profile

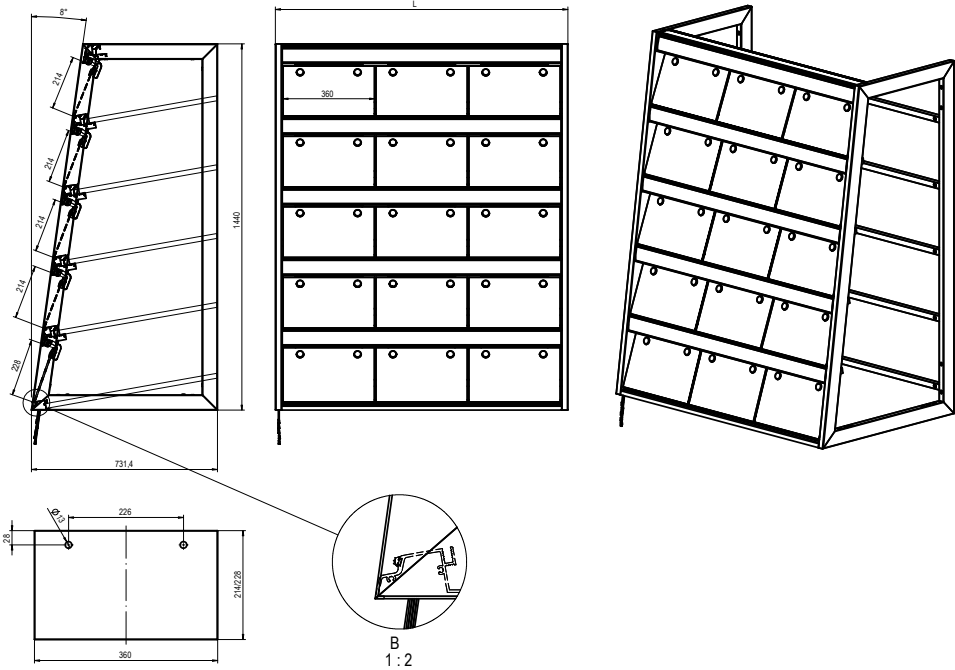




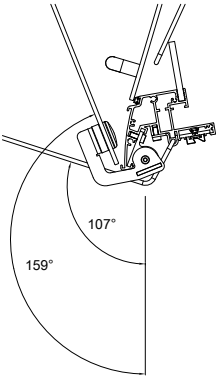
- a) Space for fixing with extension lock
- b) Holder for return security
- c) Fixing possibility
- d) Damping unit
- e) LED lighting fixed with assembling profile

**Planning information**

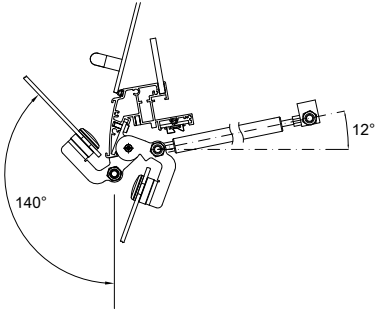
**Self-Service Bakery Shelf**



■ **Opening angle:**

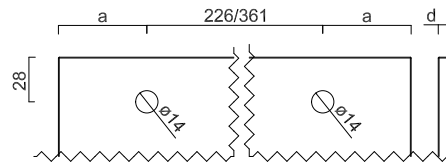


Rotation damper

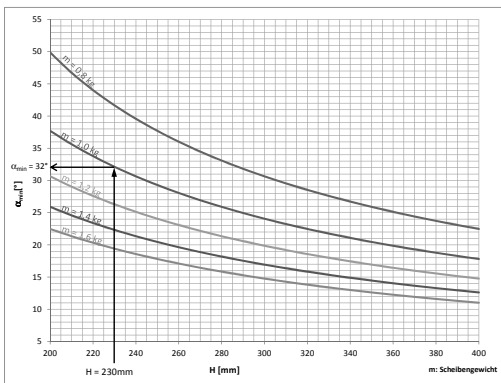


Linear damper

■ **Hole position for glasses:**



d = 6 mm → a = min. 17 mm  
 d = 5 mm → a = min. 15 mm  
 d = 4 mm → a = min. 13 mm

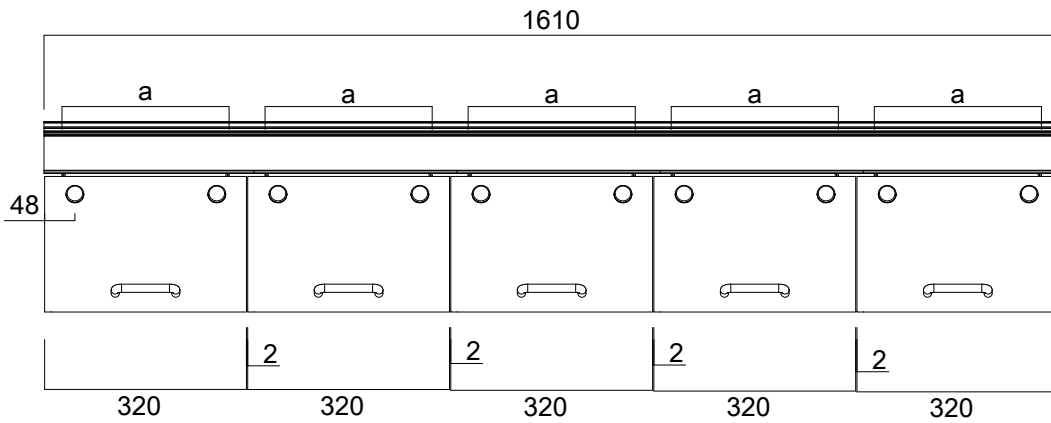
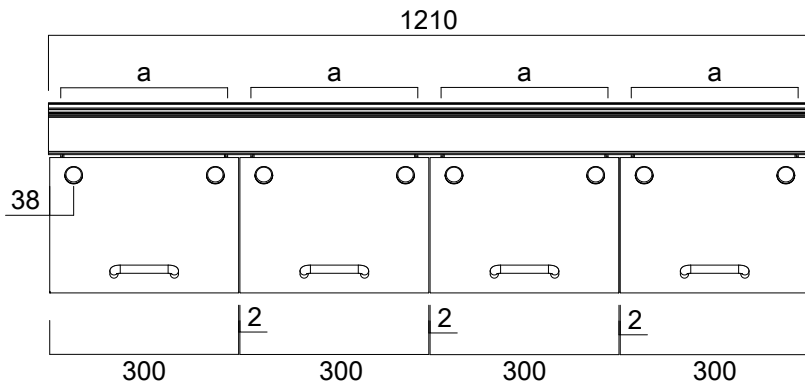
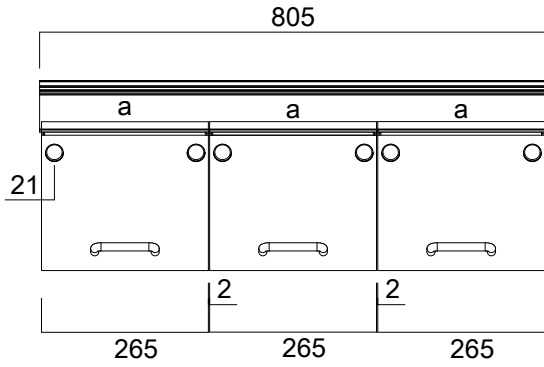


Sketch for calculation of glass slope (a) depending on weight of glass (m) and glass height (H)

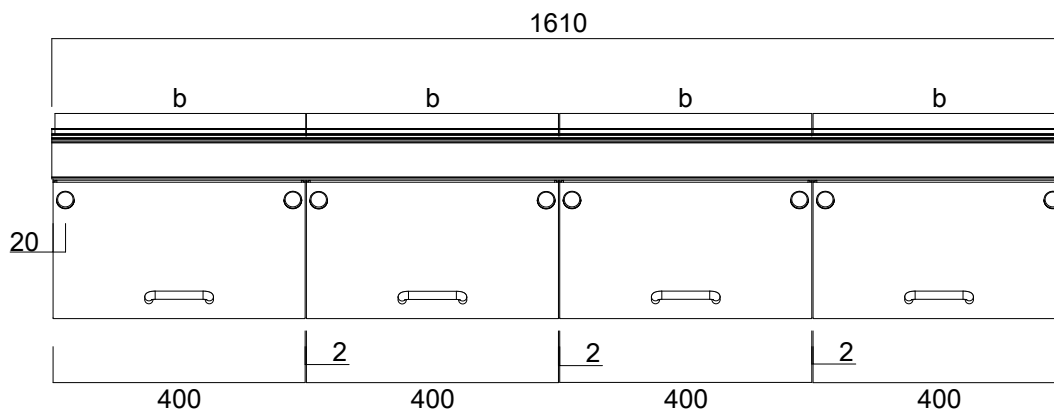
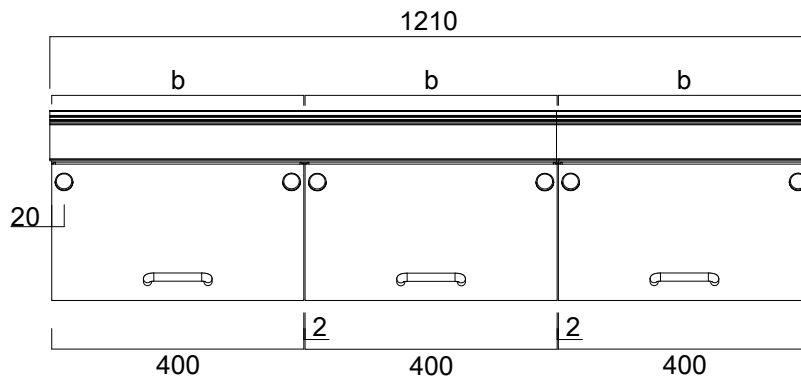
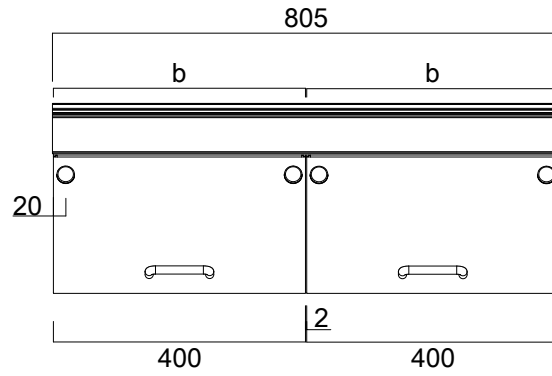
Example:

Glass weight m = 1,0 kg

Glass height H = 230 mm results in a glass slope of a = 32°

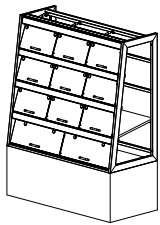
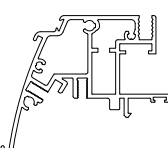
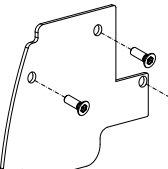
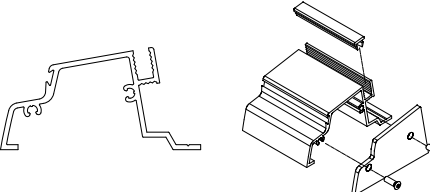
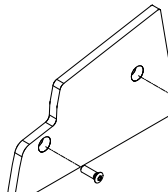
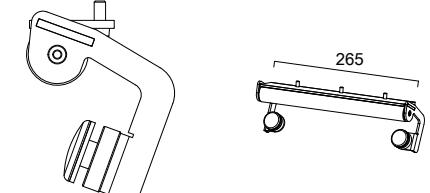
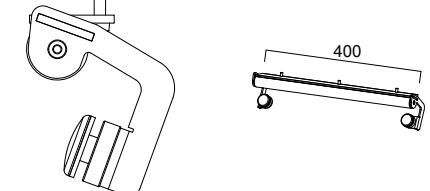


Assembly illustration with damping unit 265 mm.





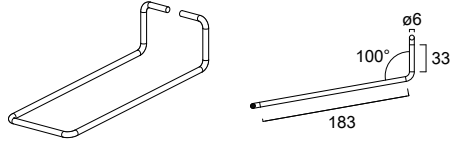
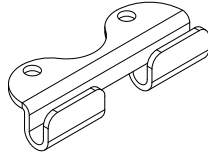
Assembly illustration with damping unit 400 mm.

## Self-Service Bakery Shelf

Picture	Product	Part number
	<b>Self-service bakery shelf</b> Assembly as per customer request	<b>auf Anfrage</b>
	<b>Base profile</b>	5000mm <b>17.052.5801.XXX</b>
	<b>End cap</b> für Basisprofil	<b>17.442.1050.XXX</b>
	<b>Striker profile</b>	5000mm <b>17.052.3371.XXX</b>
	<b>End cap</b> for striker profile	<b>17.443.2790.XXX</b>
	<b>Damper unit</b> Rotary damper for base profile	265 mm <b>17.442.1000.011.0265</b>
	<b>Damper unit</b> Rotary damper for base profile	400 mm <b>17.442.1000.011.0400</b>



Picture	Product	Part number
	<b>Damper unit</b> Rotary damper for substructure	265 mm <b>17.442.1001.011.0265</b>
	<b>Damper unit</b> Rotary damper for substructure	400 mm <b>17.442.1001.011.0400</b>
	<b>Damper unit</b> with linear damper  mounting position: piston rod behind	265 mm <b>17.442.1002.011.0265</b>
	<b>Damper unit</b> with linear damper  mounting position: piston rod behind	400 mm <b>17.442.1002.011.0400</b>
	<b>Damper unit</b> with linear damper	265 mm <b>17.442.1003.000.0265</b>
	<b>Damper unit</b> with linear damper	400 mm <b>17.442.1003.000.0400</b>
	<b>Cover</b> for gas ram	<b>15.441.9770.XXX</b>

Picture	Product	Part number
	<p><b>Striker profile</b> plastic, transparent</p> <p>3000mm</p>	<p><b>17.054.0579.087</b></p>
	<p><b>Groove profile</b> plastic, grey</p> <p>5000mm</p>	<p><b>17.054.0468.084</b></p>
	<p><b>Restraint bar</b> out of stainless steel with holder out of aluminium</p>	<p><b>17.044.4800.070</b></p>
	<p><b>Holder</b> for restraint bar</p> <p><b>screws</b> have to be ordered separately M5x10-A2-70 040.4104.070.0010</p>	<p><b>17.044.4801.000</b> M5 <b>040.4104.070.0010</b></p>