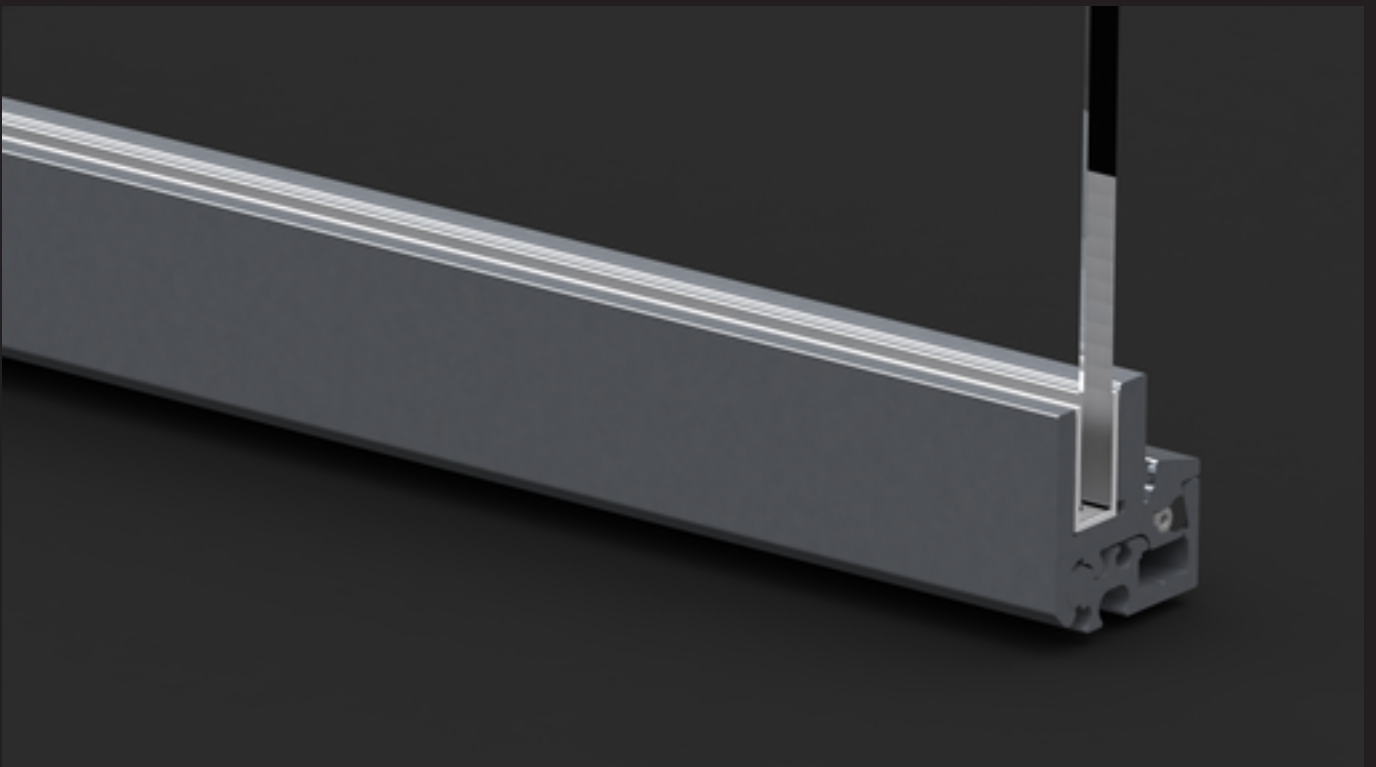
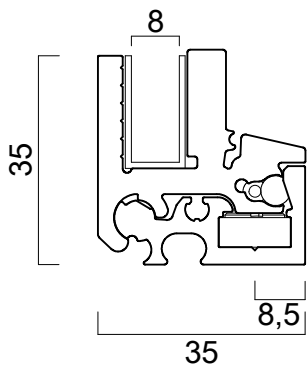
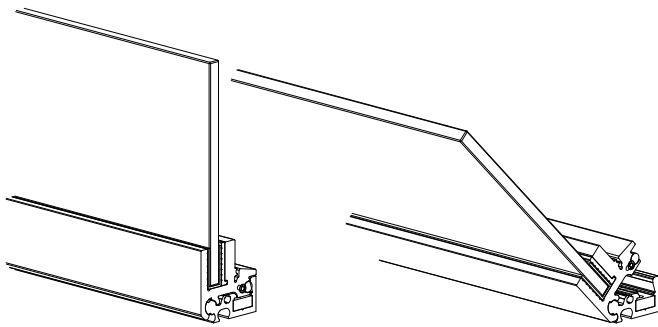


Type 120
Series 100 (without struts)

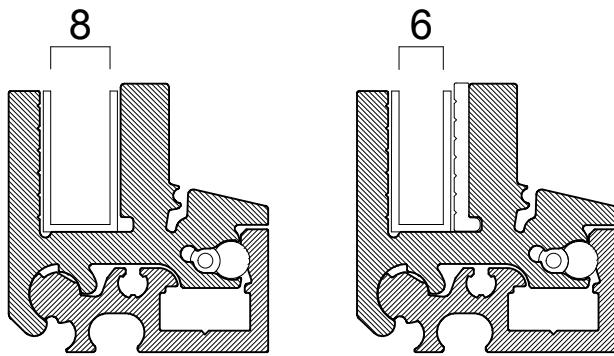


Product characteristics

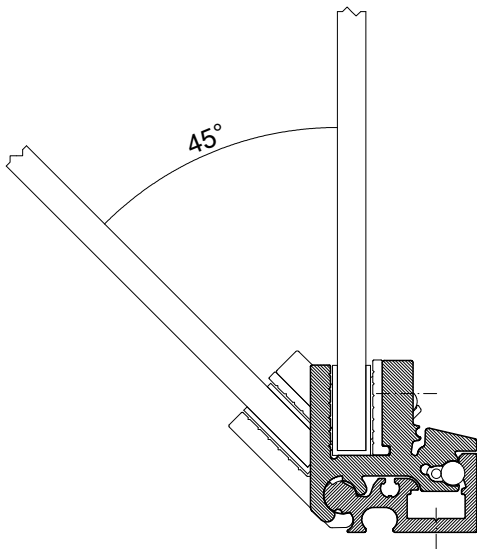
- tilt-forward hardware for assembly on top of counter
 - small dimensions 35 x 35 mm
 - force-limited locking
 - adjustable front glass
-
- for front glass 6 mm and 8 mm
 - glass height up to 500 mm
 - integrated upright price tag
 - removable glass front
 - assembly of heating cable possible



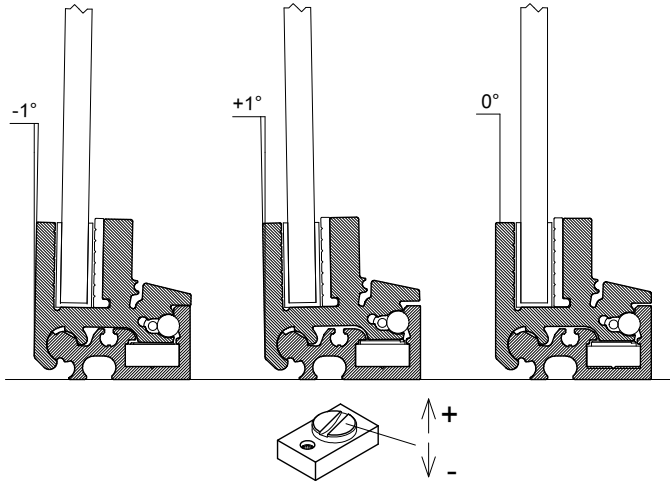
Planning information



Opening of front glass



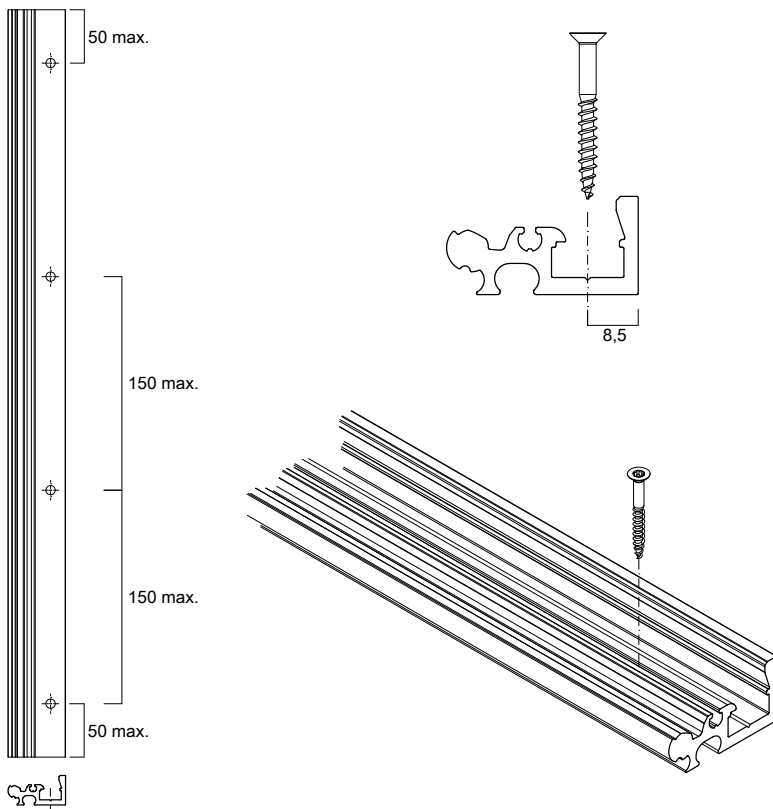
Tilting of front glass



Degree of tilting adjustable by strikers.

Assembly

■ **Drill position of base profile:**

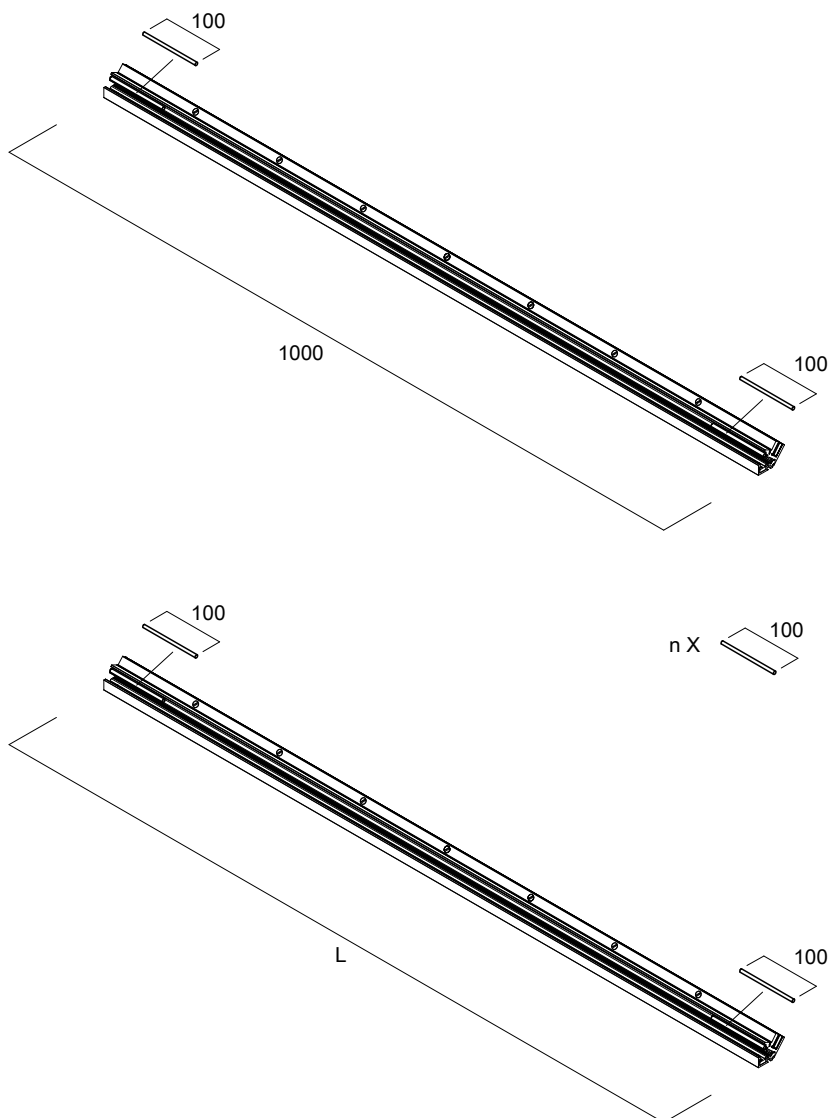


■ **Adjustment of locking force:**

Plastic rod 054.0650.086.0100:

Use approx. 2 pieces with 1000 mm hardware length.

The more pieces are inserted, the higher is the locking force.



■ **Length relations for hardware sections:**

Length front glass [mm] = length glass clamp profile [mm] – 1 mm on each side

Length glass clamp profile [mm] = length base profile [mm] – 2 mm

■ **Front glass:**

When mounting the glass into the glass clamps profile please make sure to tighten the screws with 1.0-1.2 Nm.

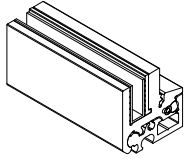
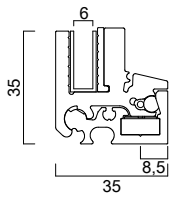
We recommend using tempered safety glass.

Please note that we assume no warranty on the glasses.

Type 120
Picture

Product

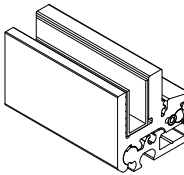
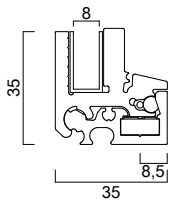
Part number



Type 120 tilt-forward hardware
for 6 mm front glass

5000mm

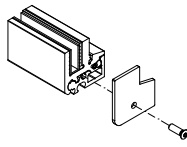
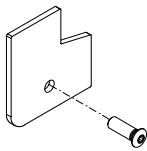
13.443.4643.XXX



Type 120 tilt-forward hardware
for 8 mm front glass

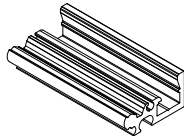
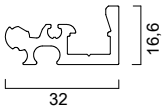
5000mm

13.443.4644.XXX



Type 120 end cap

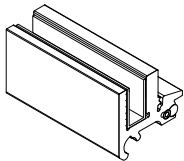
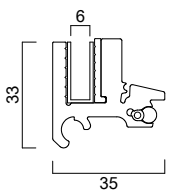
13.443.4651.XXX



Type 120 base profile

5000mm

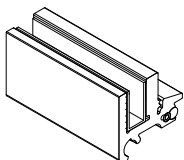
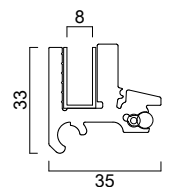
13.052.3940.XXX



Type 120 glass clamp profile complete
for 6 mm front glass

5000mm

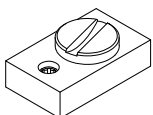
13.443.4627.XXX



Type 120 glass clamp profile complete
for 8 mm front glass

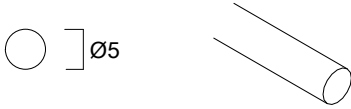
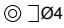
5000mm

13.443.4628.XXX



Type 120 striker

13.443.4654.XXX

Picture	Product	3000mm	Part number
	Plastic rod, Ø 5 mm total or partial insertion to control locking force		13.054.0650.086
	Silicone, Ø 4 X 1 mm transparent	25m 5000mm	054.0547.087 054.0547.087.5000

