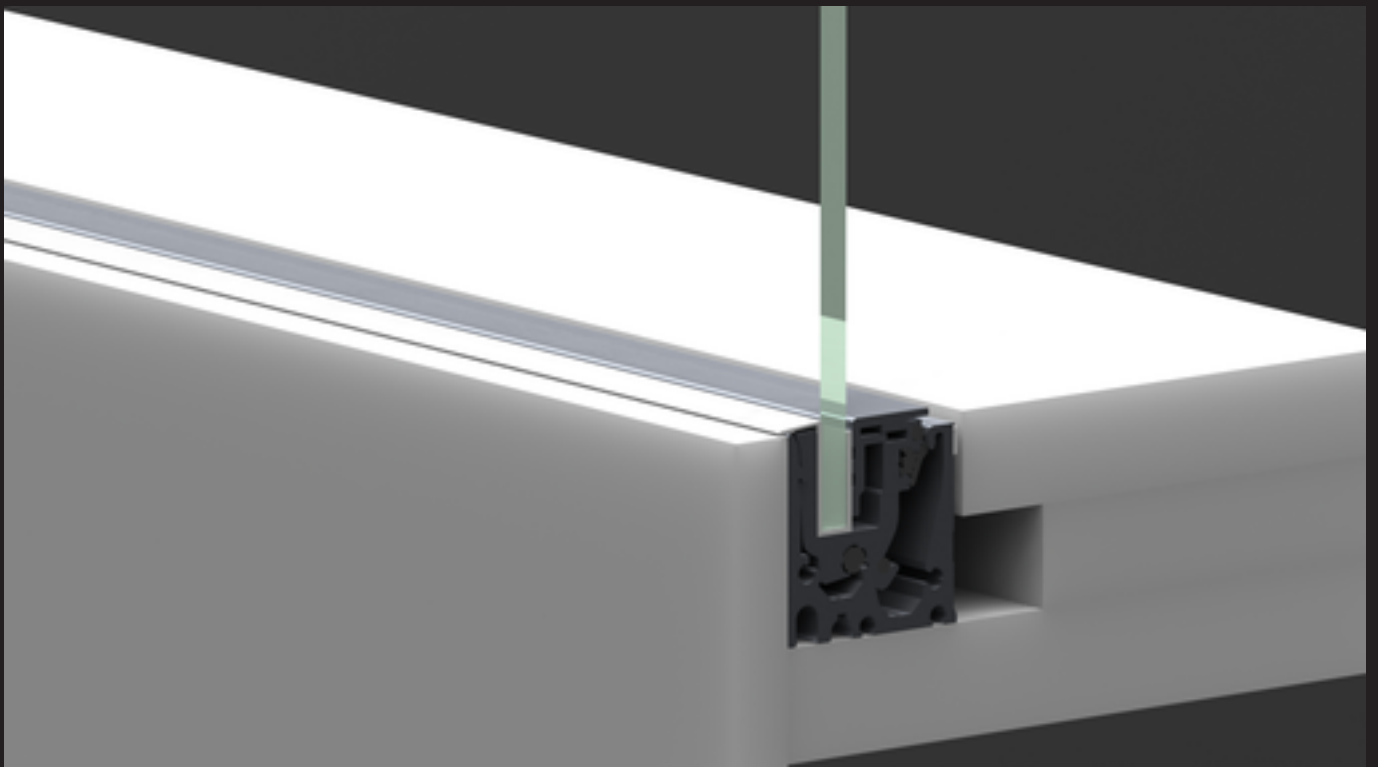
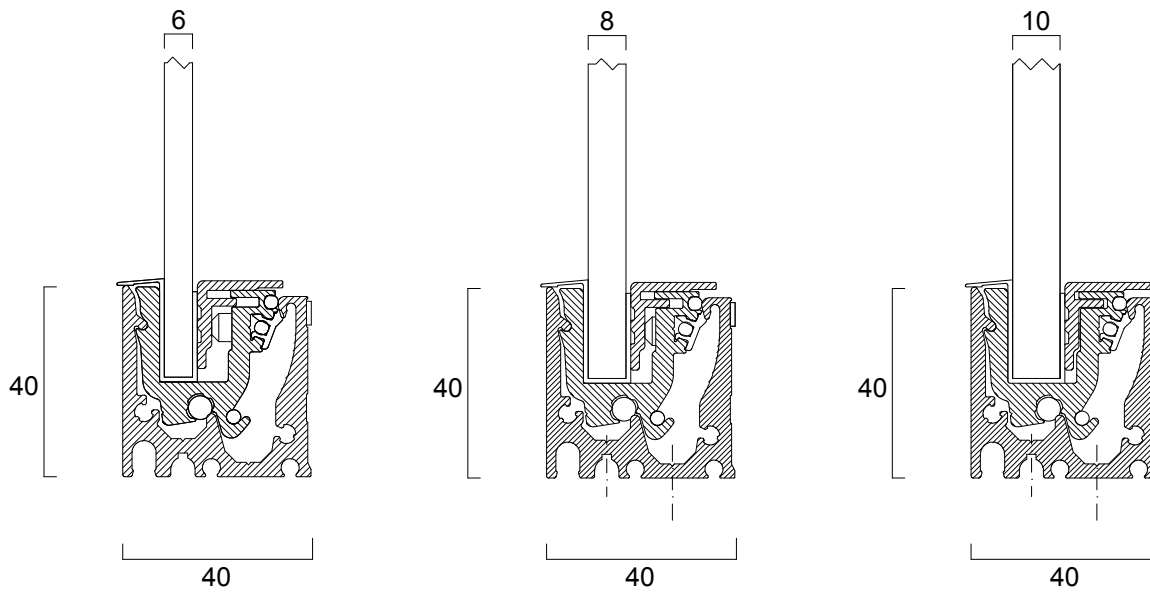


Type 130
Series 100 (without struts)



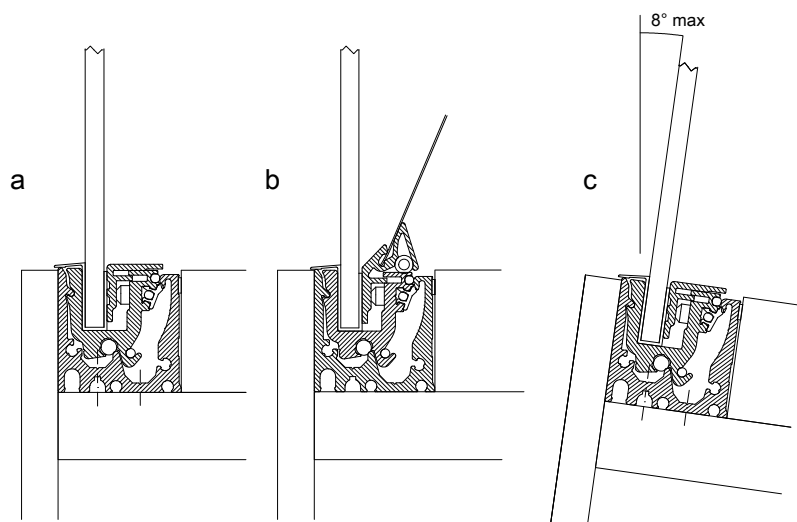
Product characteristics

- invisible in counter integrated tilt-forward hardware for straight, vertical front glass
- aligned locking
- damped final position when opened
- easy, quick assembly
- glass front can be removed without tools
- glass can easily be removed due to jaws
- optional with or without price tag
- prepared for heating cable
- for 6mm, 8mm and 10mm front glass
- maximum glass dimensions H=600mm, L=1500mm



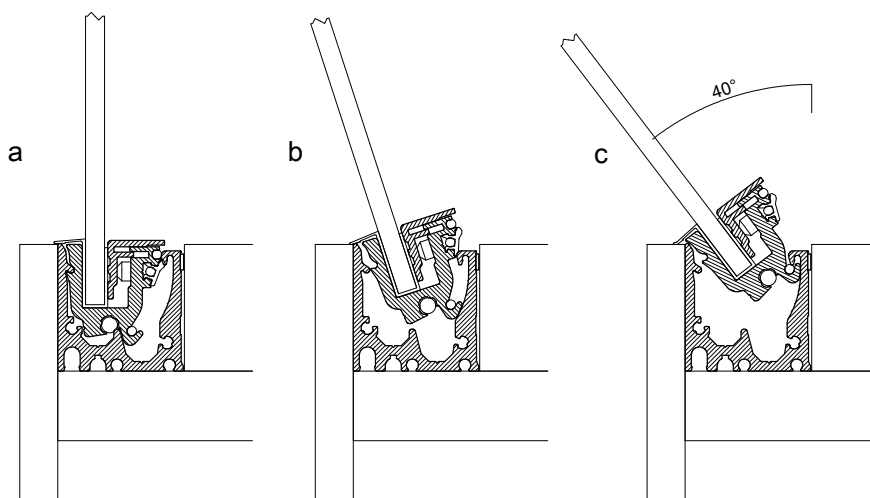
Planning information

Hardware variations



- In counter surface integrated assembly position
- a) tilt-forward hardware without price tag rail
 - b) tilt-forward hardware with price tag rail
 - c) tilt-forward hardware assembly position 8°

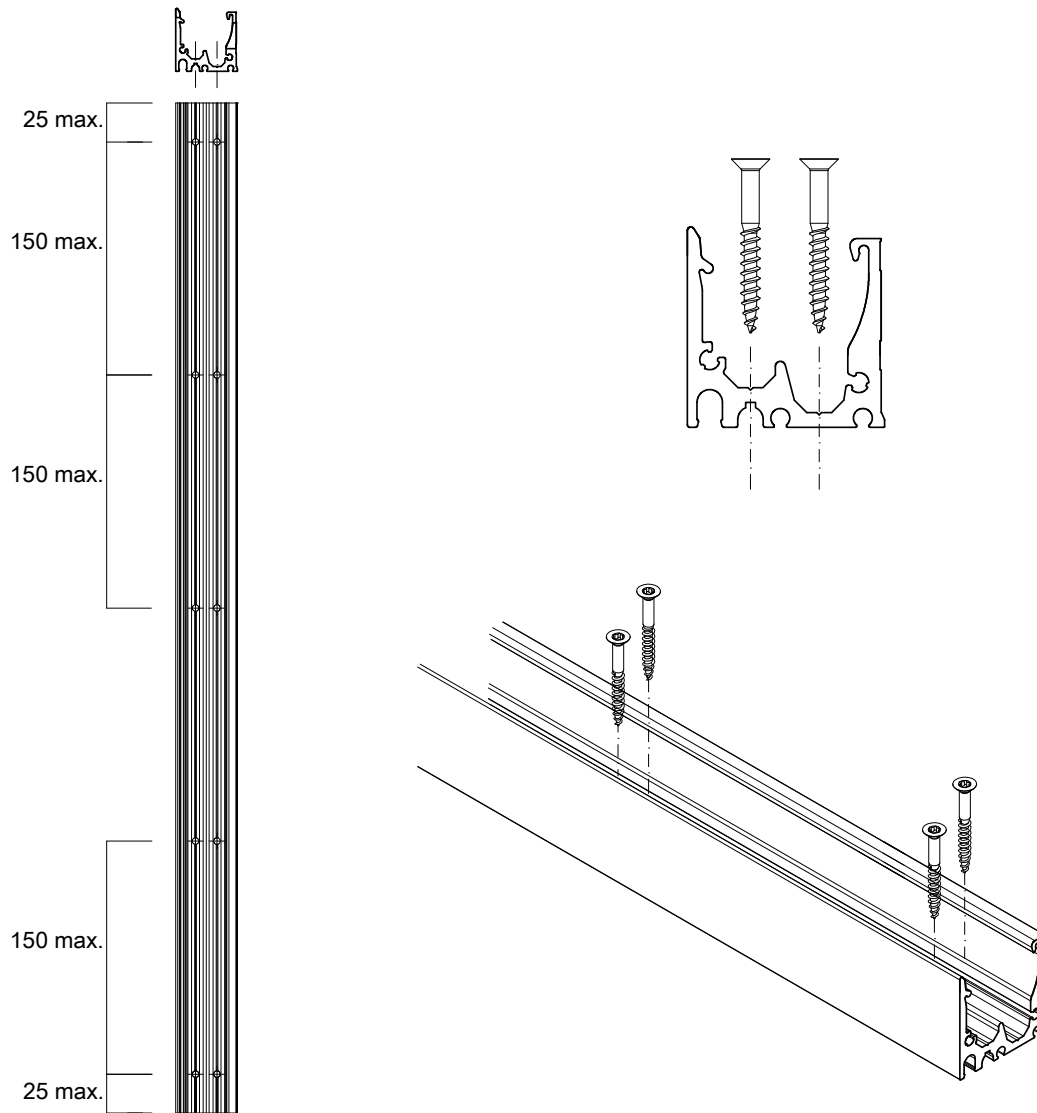
Tilting of front glass



- a) vertical locked position
- b) position to remove glass front
- c) damped final position

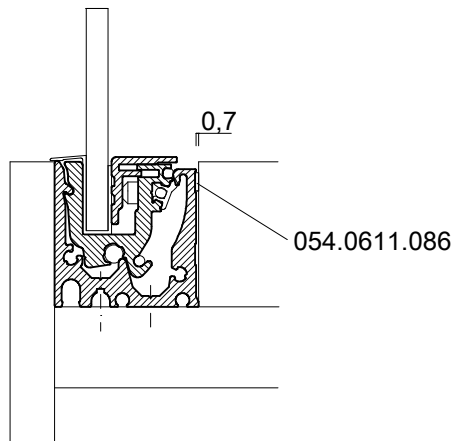
Assembly

■ **Drill position of base profile:**



Screw distance max. 150 mm.
 Countersunk screws Ø 4 mm with min. 30 mm length.
 Screw positioning parallel, not shifted, in both grooves.

■ **Fitting the hardware into the case:**



Gap 0.7 mm on rear side required.
Optional groove profile 054.0611.086.

■ **Adjustment of locking force:**

Locking profile 443.4634.086:
insert with longer arm on top side; insert round cord 045.1502.086 only lightly, avoid stretching.

Cover profile 054.0612.086:
Optional between lengths of locking profile in order to reduce locking force.
Locking or cover profile must be inserted at least partially.

Plastic rod 054.0650.086:
Use in total length with front glass > 500 mm in order to achieve max. locking force.
In order to reduce locking force use short plastic rod sections or leave the rod out completely.

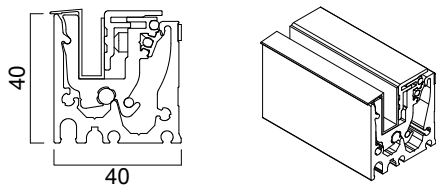
■ **Front glass:**

When mounting the glass into the glass clamp profile please make sure to tighten the screws with 0,6-0,8 Nm.
We recommend using tempered safety glass.
Please note that we assume no warranty on the glasses.

Type 130
Picture

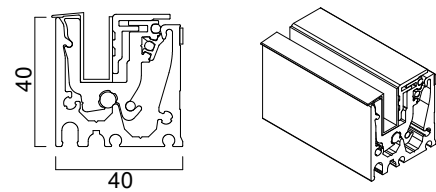
Product

Part number



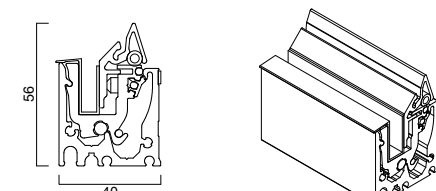
Type 130 tilt-forward hardware
for 6 mm glass
without price tag rail

5000mm **443.4645.XXX**



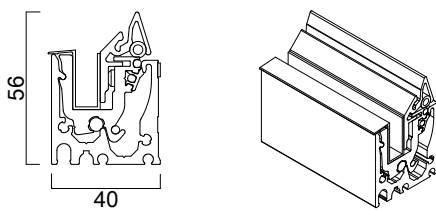
Type 130 tilt-forward hardware
for 8-10 mm glass
without price tag rail

5000mm **443.4647.XXX**



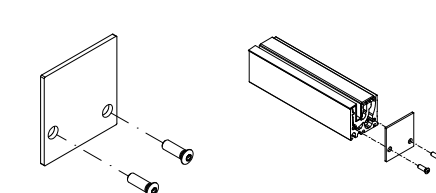
Type 130 tilt-forward hardware
for 6 mm glass
with price tag rail

5000mm **443.4655.XXX**



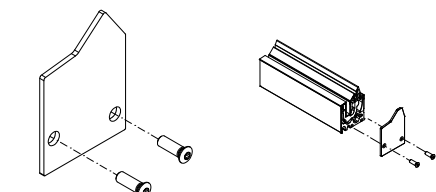
Type 130 tilt-forward hardware
for 8-10 mm glass
with price tag rail

5000mm **443.4657.XXX**



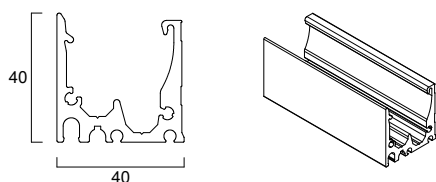
Type 130 end cap
for version without price tag rail

443.4640.XXX



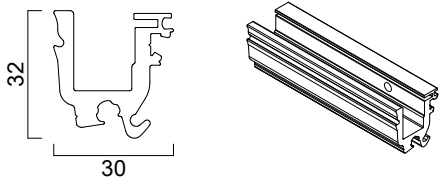
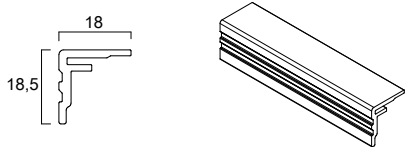
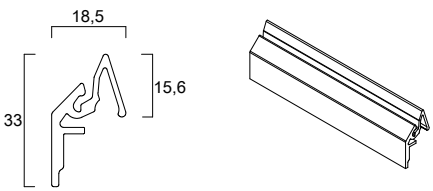
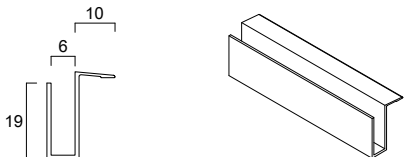
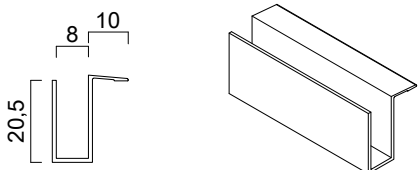


Type 130 end cap
for version with price tag rail

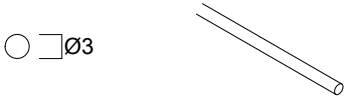
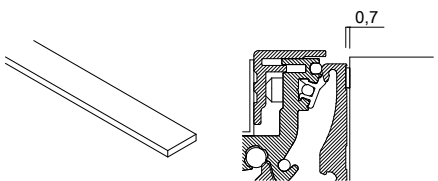
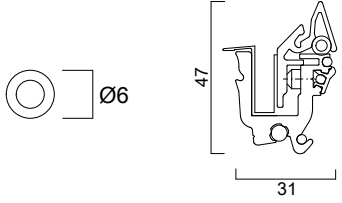
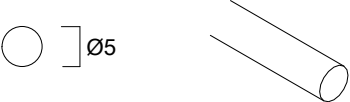
443.4641.XXX



Type 130 base profile

5000mm **052.1351.XXX**

Picture	Product	Part number
	Type 130 glass frame profile, drilled for 6-10 mm glass	5000mm 443.4642.XXX
	Type 130/140 glass clamp profile 1 without price tag rail	5000mm 052.1353.XXX
	Type 130/140 glass clamp profile 2 with price tag rail	5000mm 052.1350.XXX
	Type 130 plastic U-profile for 6 mm, EVA black	2500mm 054.0425.086
	Type 130 plastic U-profile for 8-10 mm, EVA black	2500mm 054.0424.086
	Type 130/140 locking profile incl. round cord 045.1502.086 total or partial insertion to control locking force	2500mm 443.4634.086
	Type 130/140 cover profile optional between lengths of locking profile 443.4634.086	2500mm 054.0612.086

Picture	Product	Part number
	Type 130/140 round cord D = 3 mm	5000mm 045.1502.086
	Groove profile 0.7 mm	10m 054.0611.086
	Silicone tube D = 6 mm for price tag rail	5000mm 054.0495.087
	Plastic rod total or partial insertion to control locking force	3000mm 13.054.0650.086